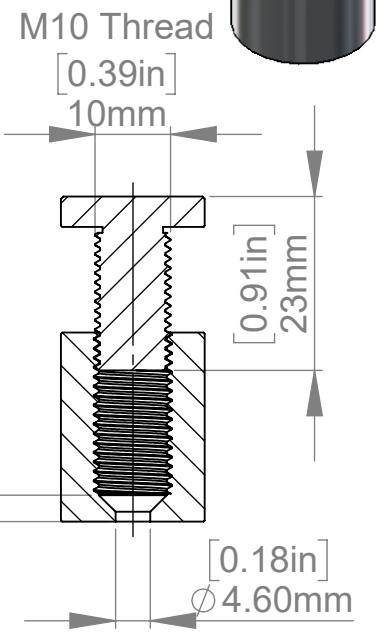
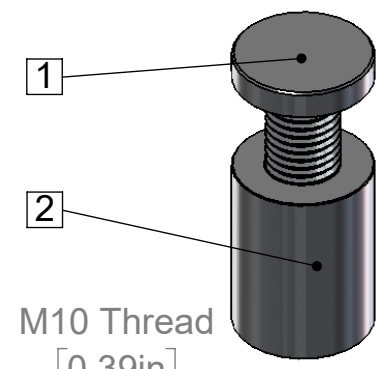
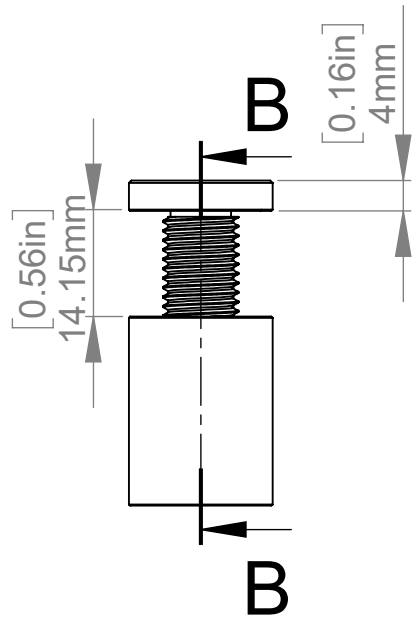


No Minimum Thickness

Maximum Thickness



SECTION B-B

ITEM NO.	PART NUMBER	DESCRIPTION	QTY.
1	AS19-30-A		1
2	AS19-30-B		1

Title : <b>AS19-30</b>			Scale : 1:1	Mbs R&D	
 Mbs Standoffs 6420 Benjamin Rd Tampa, FL 33834 USA 813-938-6025			Sizes : Letter Landscape	Customer:	
Material:		Finish	Qty :	Rep :	
N°programme laser		N°prog. Mécanum.	N° Plan : AS19-30		