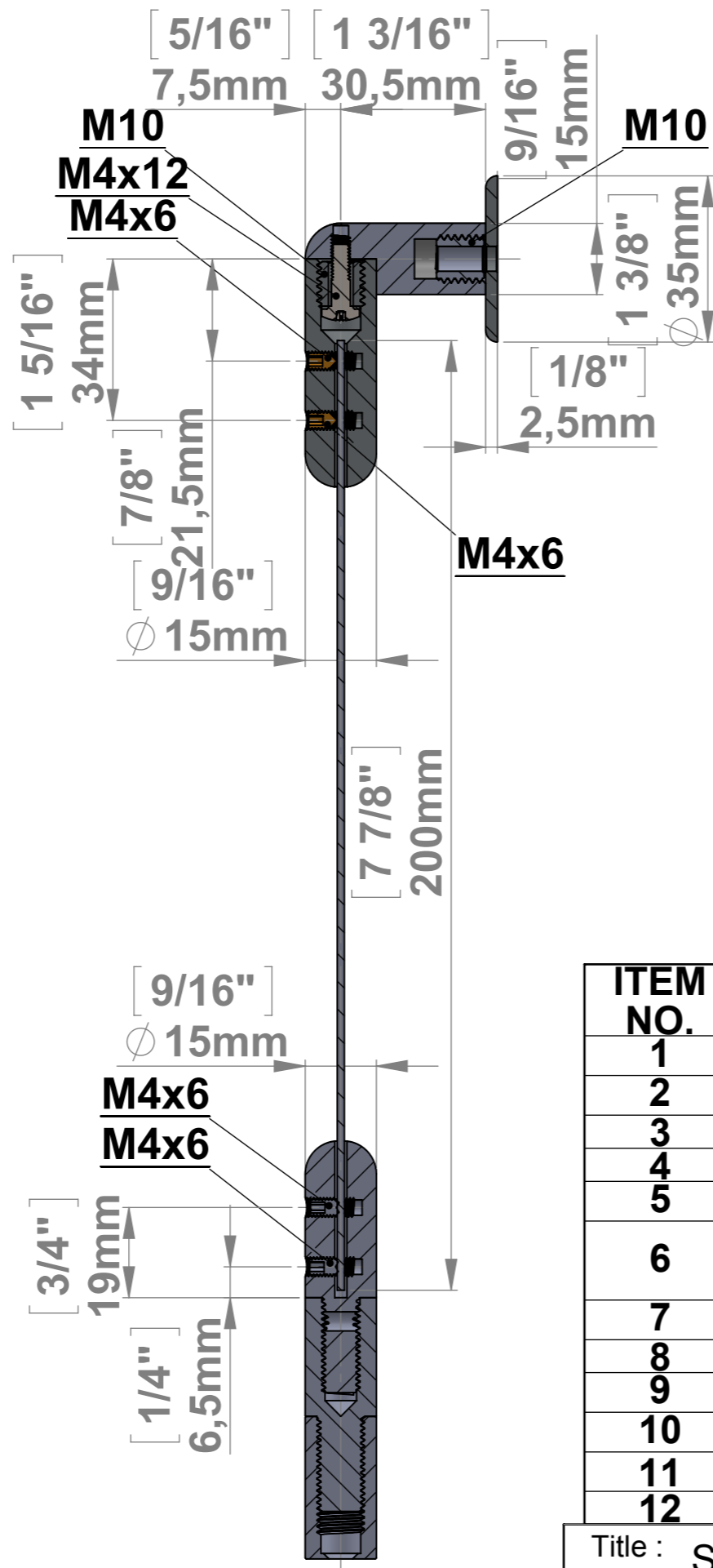
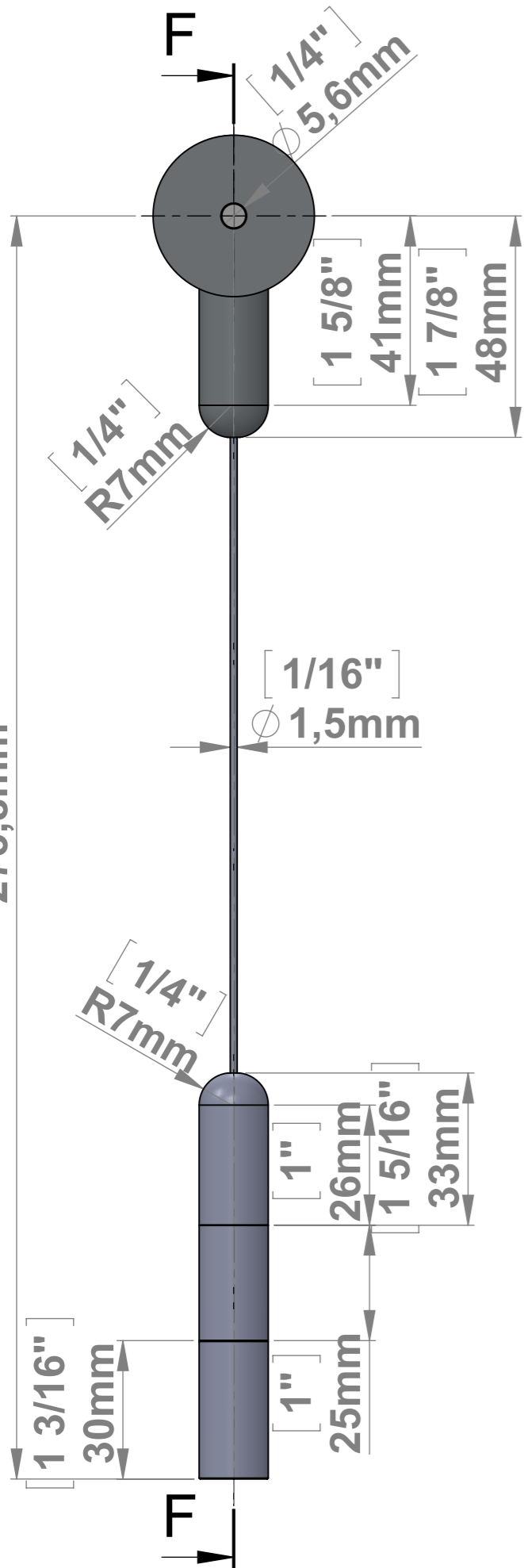
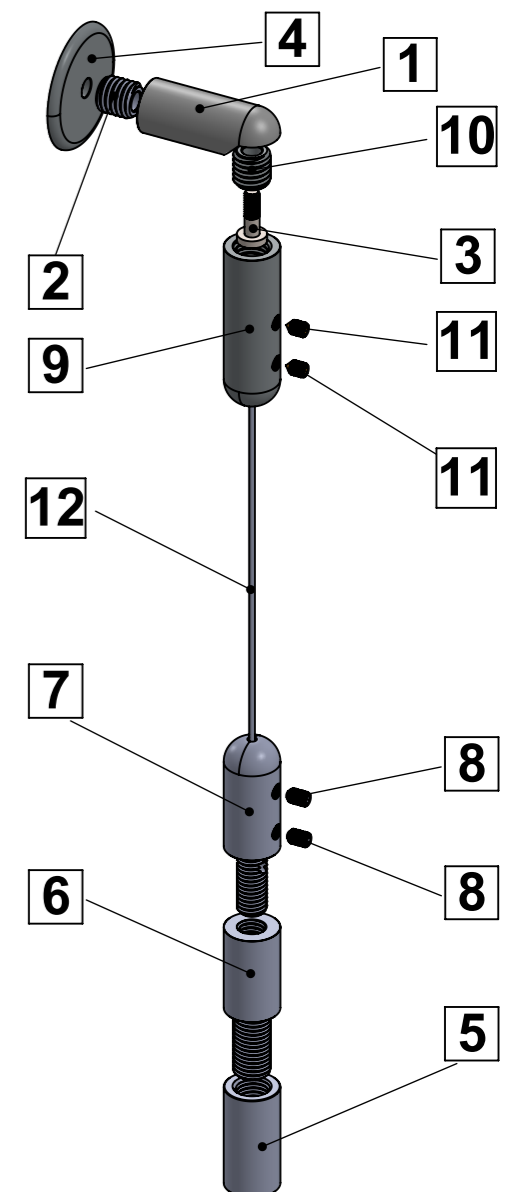


[10 3/4"]
273,8mm



SECTION F-F
SCALE 1 : 1.3



ITEM NO.	PART NUMBER	DESCRIPTION	QTY.
1	100.364 Body		1
2	M10	100.364 Support	1
3	M4x12		1
4	100.365		1
5	100.362_Support	M10-Reverse-Thread	1
6	100.362_Body_Reverse-Thread		1
7	100.362_Body		1
8	M4xL6mm	Set-Screw_Réaliste	2
9	100.363_Body		1
10	M10	100.268_Support	1
11	M4xL6mm	Set_Screw_	2
12	Cable_1.5mm		1

Title : SGC1907		Scale : 1:2		Mbs R&D	
		Sizes : Letter Landscape		Customer:	
Material:		Finish		Qty :	Rep :
N°programme laser		N°prog. Mécanum.		N° Plan : SGC1907	



Mbs Standoffs
6420 Benjamin Rd
Tampa, FL 33634
USA
813-938-6025