



TECHNICAL DATA SHEET

Project Name Catalog #
 Comments Date

Fovero RLM - Angle Shade With Gooseneck



Features

- Fovero RLM's are manufactured using premium cold rolled steel and die cast zinc, which is then electrostatically sprayed, prior to being oven baked with reliable UV stabilized paint suitable for indoor and outdoor use.
- Each shade comes with a wire length of 96 in.
- Gooseneck Arms I.D. 3/4" with 1-14 Thread
- Takes up to 200W A21 Incandescent Bulb, or any E26 Medium Base LED Bulb.
- Fovero RLM's are UL Listed for Wet Locations [E502113] when using Gooseneck Arms



Specifications

SKU	Description	Dimensions
SAS10-BK	10" Satin Black RLM Angle Shade	Ø10" x 10-3/4" H
SAS10-BZ	10" Architectural Bronze RLM Angle Shade	
SAS10-GA	10" Galvanized Painted RLM Angle Shade	
SAS10-WH	10" White RLM Angle Shade	



SKU	Description
SGN10-XX	10" Gooseneck Arm With Height of 6" w/ Mounting Plate
SGN13-XX	13" Straight Arm With Height of 2" w/ Mounting Plate
SGN15-XX	14-1/2" Gooseneck Arm With Height of 8" w/ Mounting Plate
SGN22-XX	22" Gooseneck Arm With Height of 7-1/2" w/ Mounting Plate
SGN24-XX	24" Gooseneck Arm With Height of 17" w/ Mounting Plate



SAS10-BZ-SGN10-BZ



SAS10-GA-SGN13-GA



SAS10-BK-SGN15-BK



SAS10-WH-SGN22-WH



SAS10-GA-SGN24-GA

TECHNICAL DATA SHEET

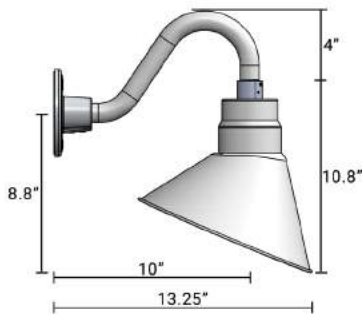
Project Name Catalog #

Comments Date

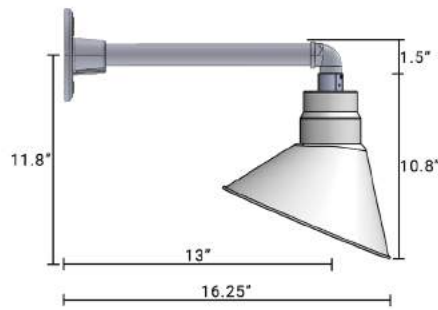
Fovero RLM - Angle Shade With Gooseneck

Ordering Info

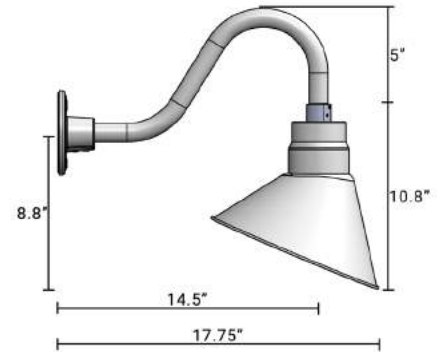
Shade	Finish	Arm Length	Finish
SAS10-	BK (Satin Black)	SGN10 -	BK (Satin Black)
	BZ (Architectural Bronze)	SGN13 -	BZ (Architectural Bronze)
	GA (Galvanized)	SGN15 -	GA (Galvanized)
	WH (White)	SGN22 -	WH (White)
		SGN24 -	



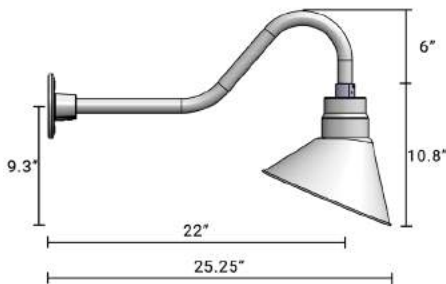
SAS10-XX-SGN10-XX



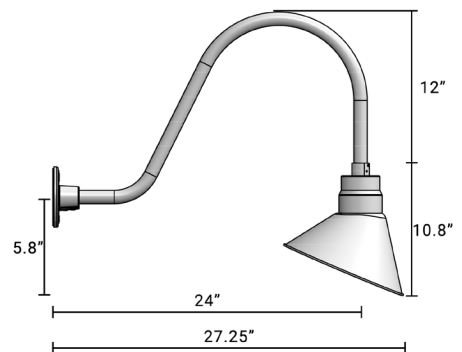
SAS10-XX-SGN13-XX



SAS10-XX-SGN15-XX



SAS10-XX-SGN22-XX



SAS10-XX-SGN24-XX



SAS10-GA-SGN10-GA



SAS10-BK-SGN13-BK



SAS10-WH-SGN15-WH



SAS10-BK-SGN22-BK



SAS10-BZ-SGN24-BZ