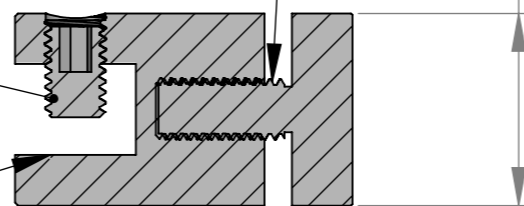


Material Accepted
1/8" to 3/16"

Material hole required 3/16"

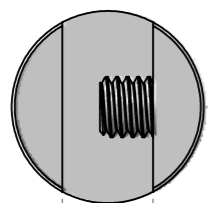
Set Screw M4x6

Material Accepted
Up to 3/16"

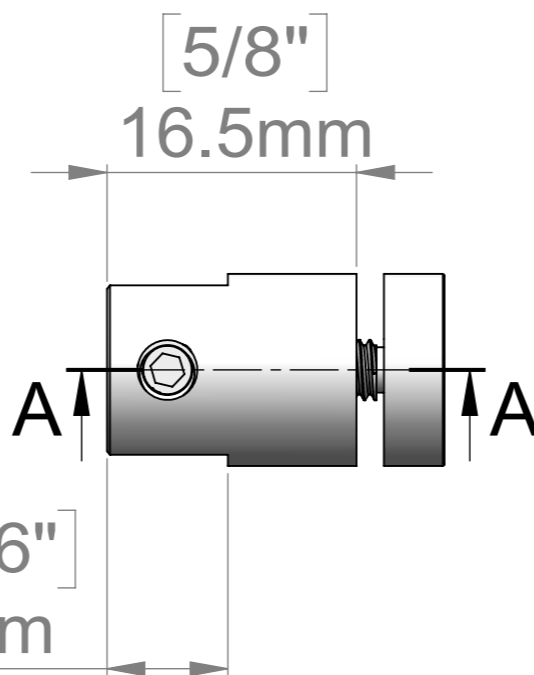


[1/2"]
∅ 12.7mm

SECTION A-A



[1/4"]
6mm



[1/2"]
∅ 12.7mm

Title : PS05062			Scale : 3.5:1	Mbs R&D	
			Sizes : Letter Landscape	Customer:	
 Htm-Mbs 5046 W Linebaugh Tampa, FL 33624 T:1-813-938-6025	Material: Cast Acrylic	Finish: Clear Polished Edges	Qty: 1	Rep :	
	N°programme laser	N°prog. Mécanum.	N° Plan : PS05062		