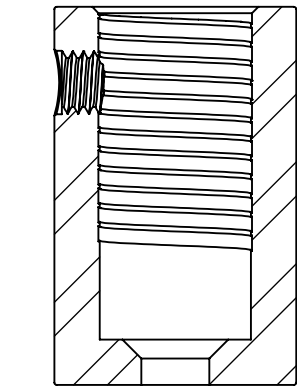




**1 LBL16-30 (M10) Body (16x25)
(Scale 2:1)**

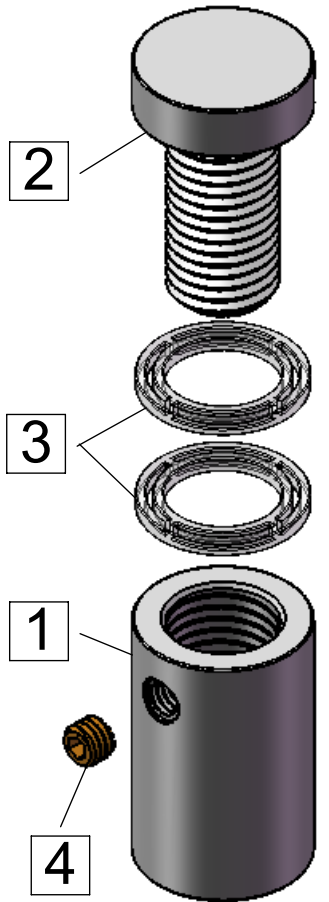
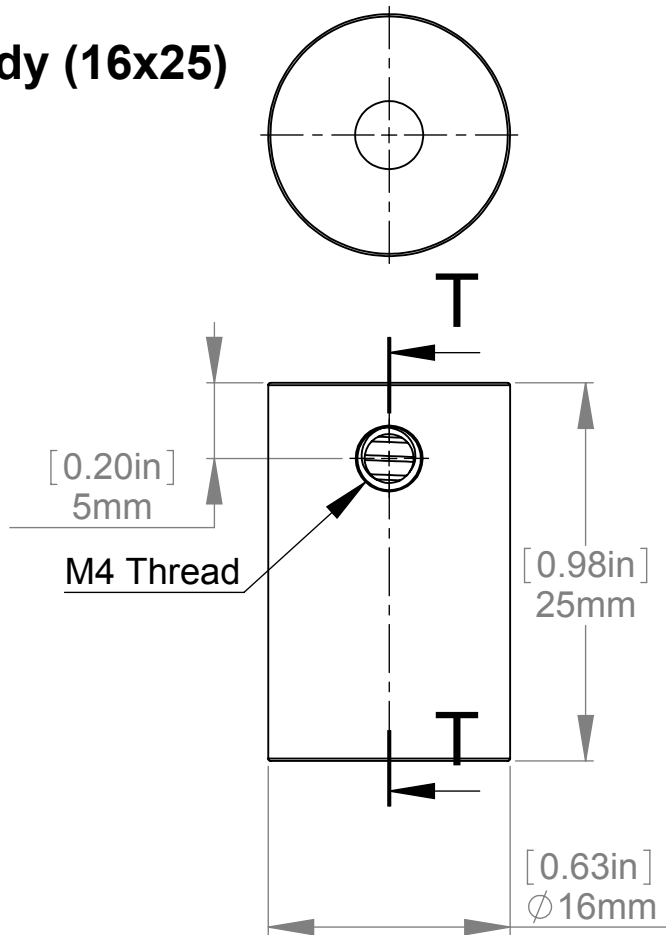
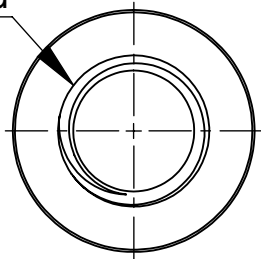
LBL16-25

[0.18in]
Ø 4.50mm



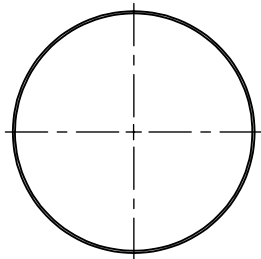
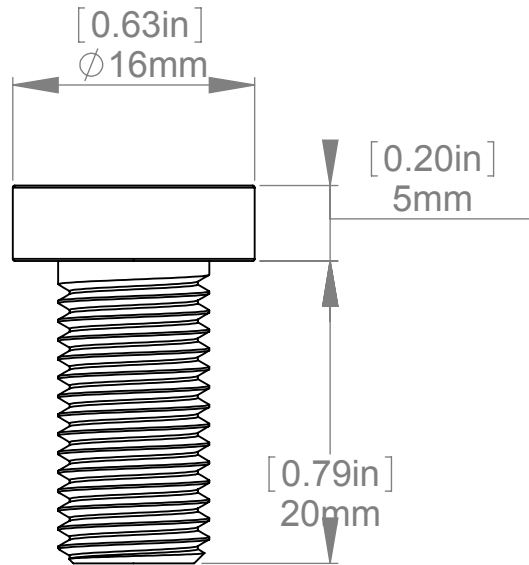
SECTION T-T

M10 Thread

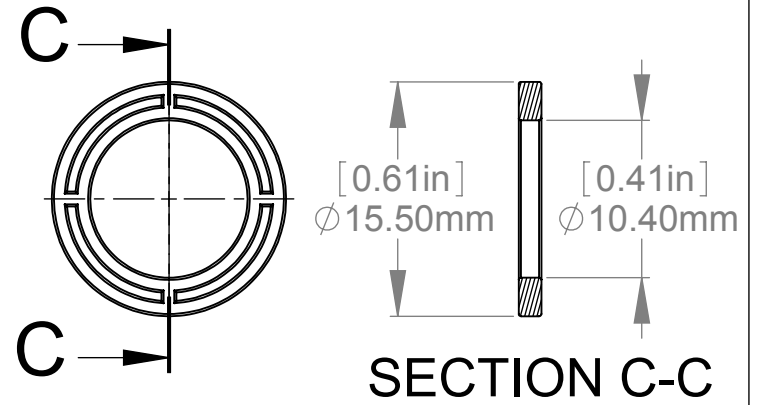
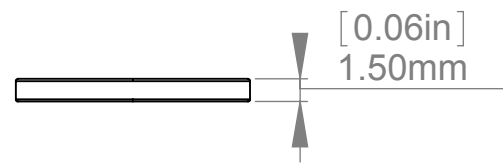


2

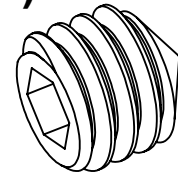
**LBL16 (M10) Head
(Scale 2:1)**



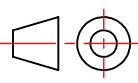

**3 LBL16 (M10) Washer
(Scale 2:1)**



**4 M4xL4mm Set Screw
(Scale 5:1)**



Item	Qty.	Description
1	1	LBL16-30 (M10) Body (16x25)
2	1	LBL16 (M10) Head
3	2	LBL16 (M10) Washer
4	1	M4xL4mm Set Screw

Title : LBL16-30			Scale : 2:1	Mbs R&D	
			Sizes : Letter Landscape	Customer:	
	MBS Sign USA Tel.: 352-593-4151 Fax: 352-796-4437 Brooksville, FL	Material:	Finish	Qty :	Rep :
	N°programme laser	N°prog. Mécanum.	N° Plan : LBL16-30		