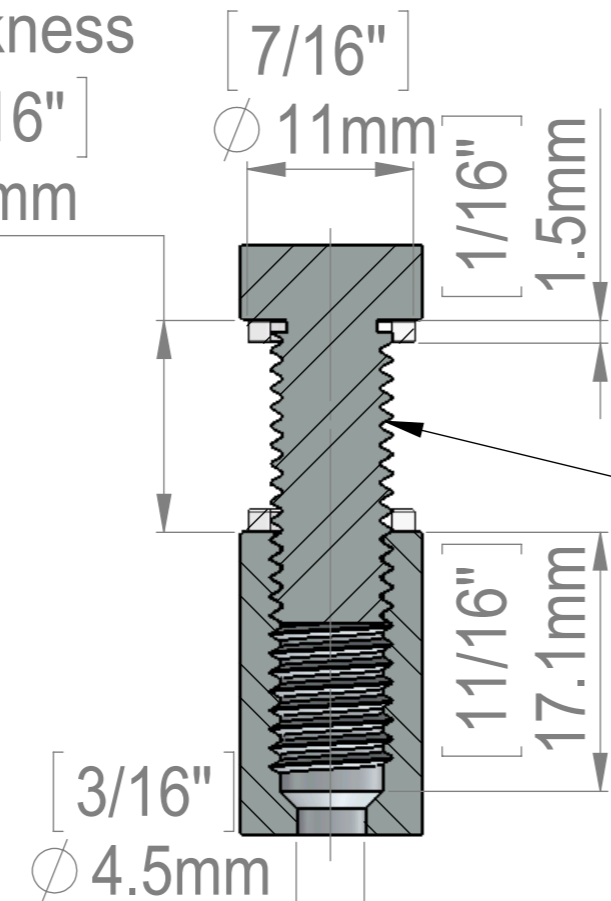
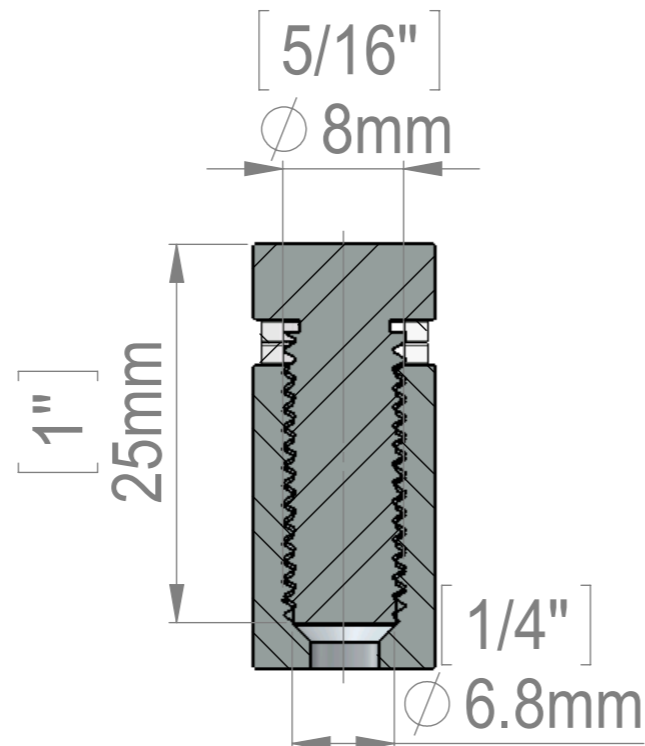
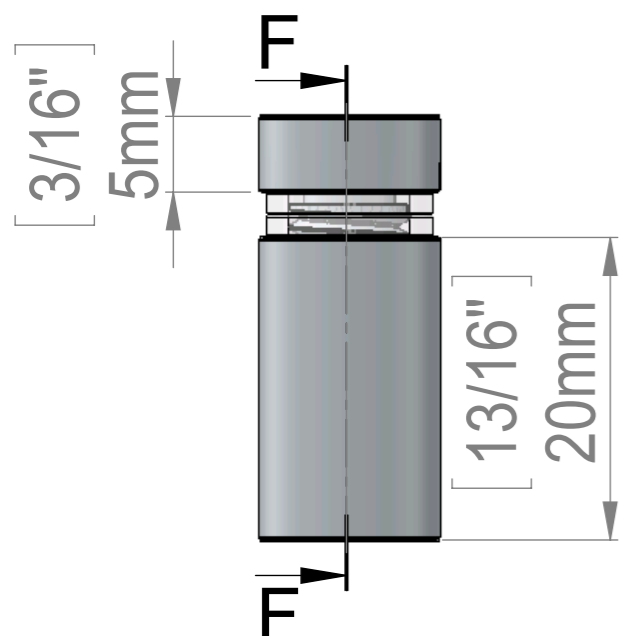
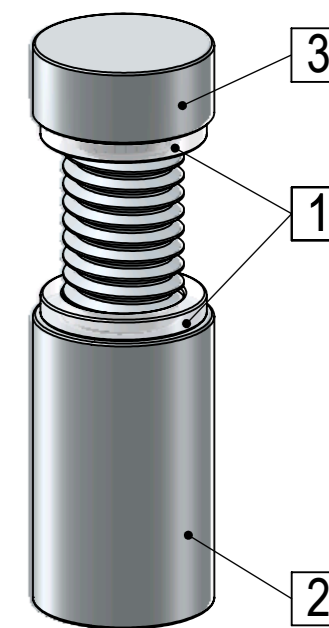


Maximum Thickness  
 [9/16"]  
 14mm



SECTION E-E  
 SCALE 2 : 1  
 M8 Thread

Attention  
 Reverse Threaded  
 For Tamper Proof Perposes



SECTION F-F  
 SCALE 2 : 1



ITEM NO.	PART NUMBER	DESCRIPTION	QTY.
1	FAH12_Washer		2
2	FAH12-25_Body-12x20-Reverse_Thread		1
3	HM1102A(FHA12-25)-Reverse_Thread		1

Title : FAH12-25		Scale : 2:1		Mbs R&D	
		Sizes : Letter Landscape		Customer:	
Material:		Finish		Qty :	Rep :
N°programme laser		N°prog. Mécanum.		N° Plan : FAH12-25	

Mbs Standoffs  
 6420 Benjamin Rd  
 Tampa, FL 33634  
 USA  
 813-938-6025