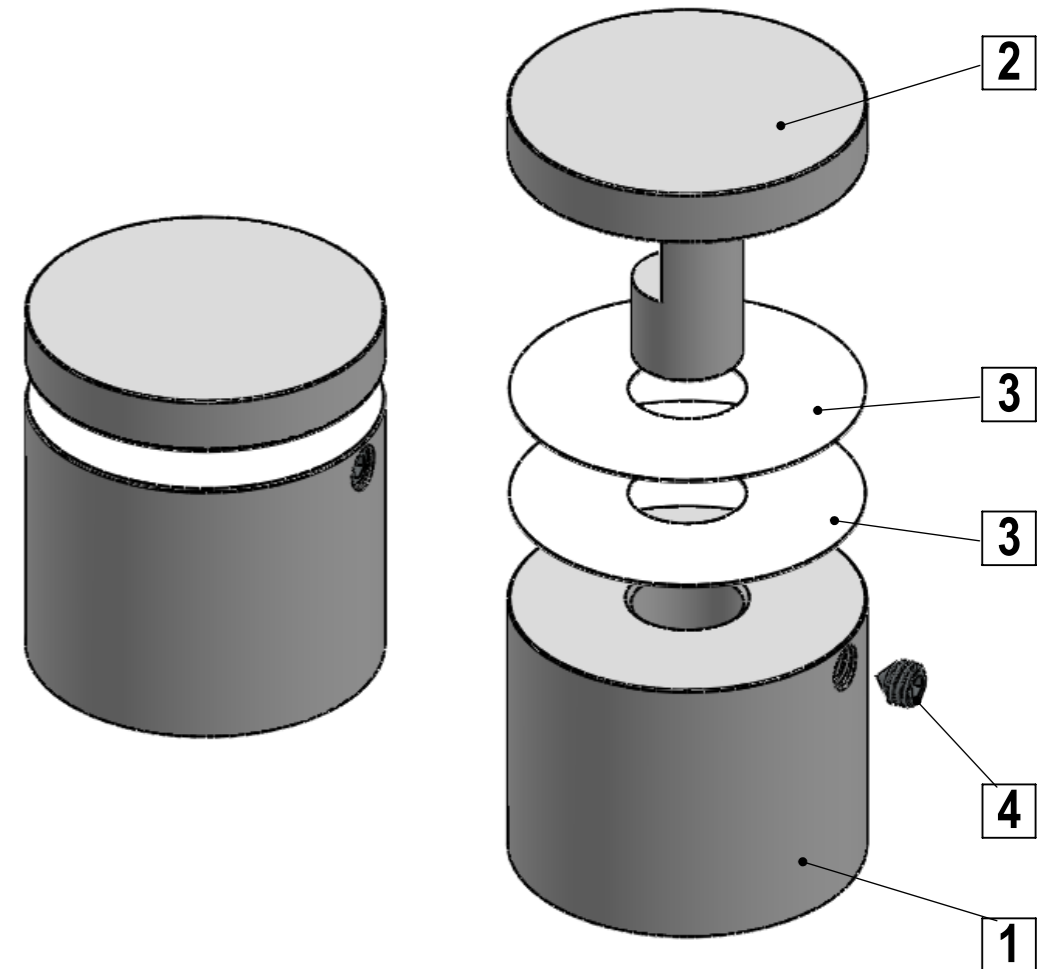
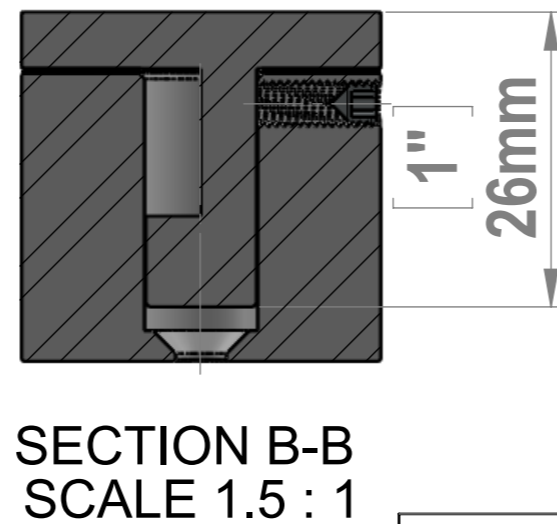
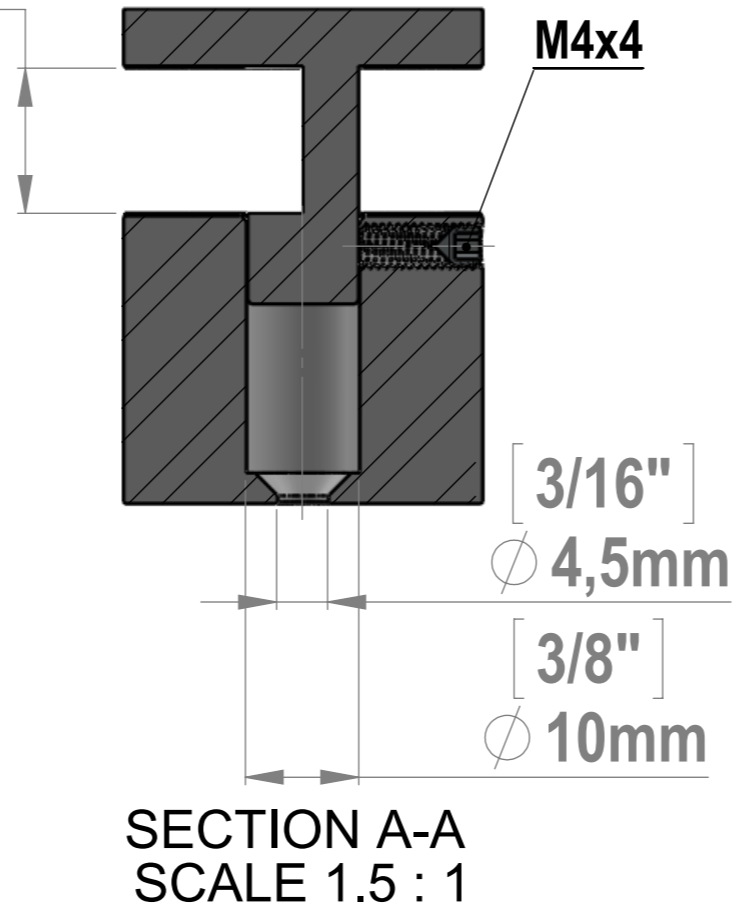


Maximum
 Thickness
 $\left[\frac{1}{2}'' \right]$
 12,8mm



ITEM NO.	PART NUMBER	DESCRIPTION	QTY.
1	EG125-100_Body		1
2	EG125-100_Head		1
3	EG125_Nylon-Washer		2
4	Set_Screw_M4x4mm		1

Title : EG125-100			Scale : 1.5:1	Mbs R&D	
			Sizes : Letter Landscape	Customer:	
 Mbs Standoffs 6420 Benjamin Rd Tampa, FL 33634 USA 813-938-6025	Material:	Finish	Qty :	Rep :	
	N°programme laser	N°prog. Mécanum.	N° Plan : EG125-100		