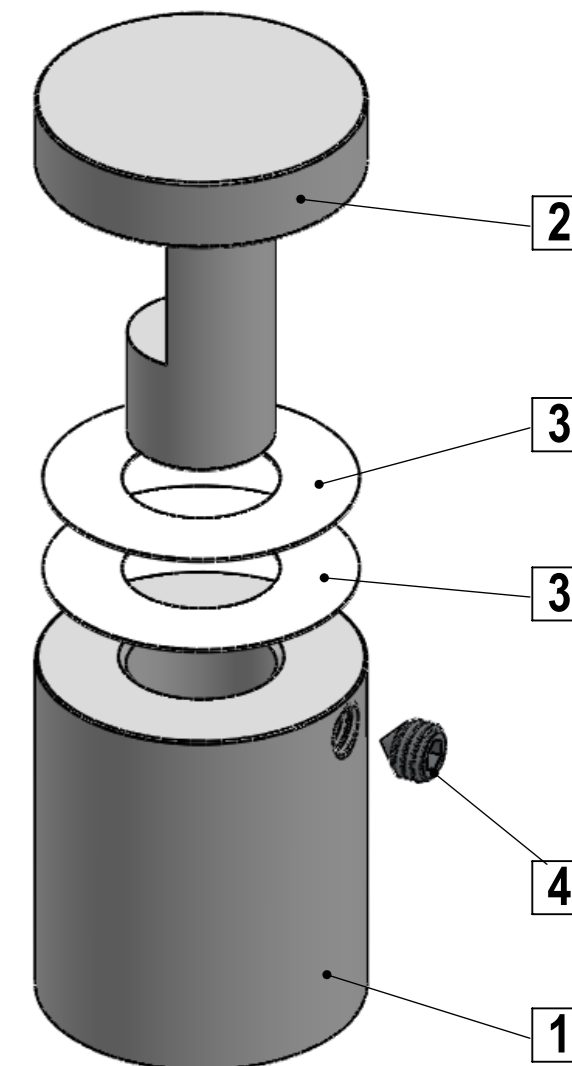
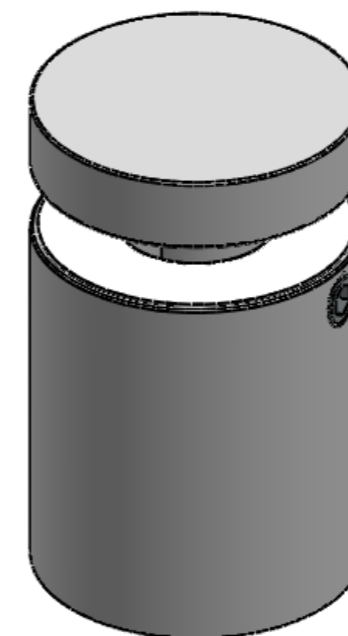
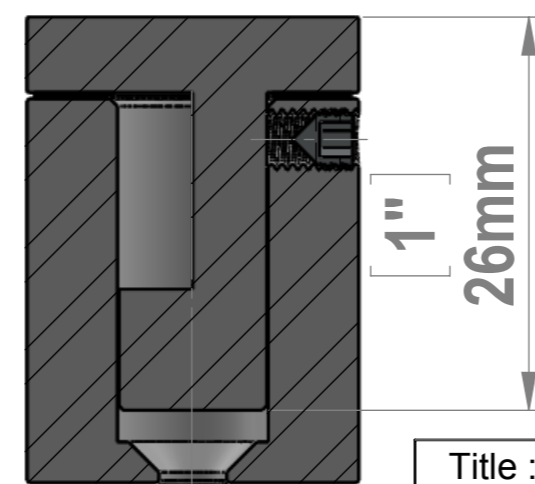
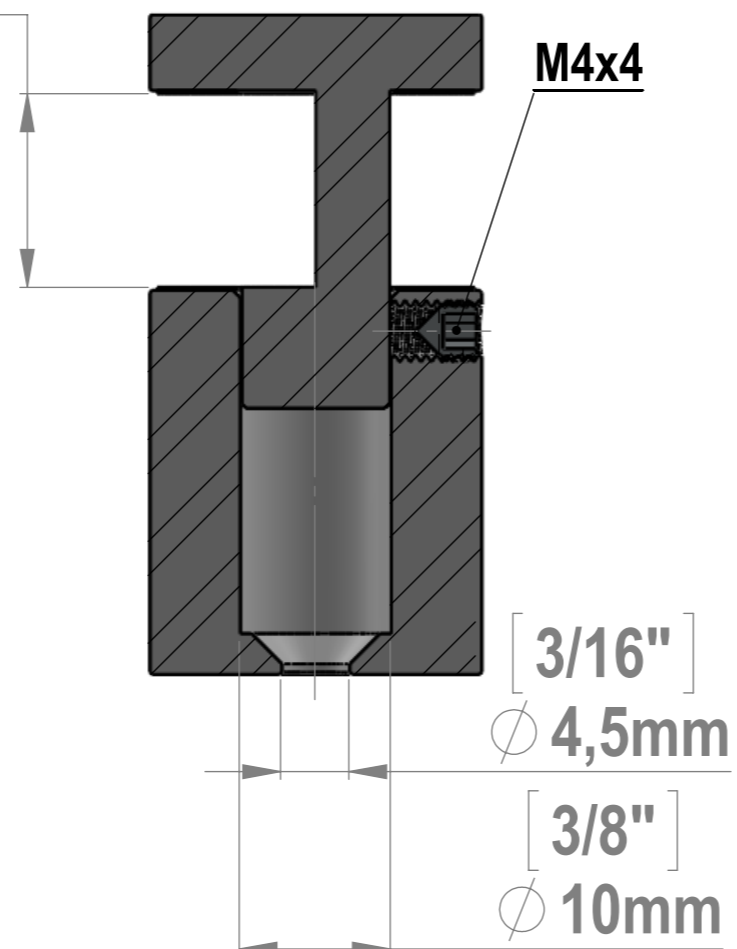

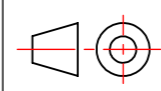


Maximum
 Thickness
 $1/2"$
 12,8mm



ITEM NO.	PART NUMBER	DESCRIPTION	QTY.
1	EG087-100_Body		1
2	EG087-100_Head		1
3	EG087_Nylon-Washer		2
4	Set_Screw_M4x4mm		1

Title : EG087-100		Scale : 2:1	Mbs R&D	
 Mbs Standoffs 6420 Benjamin Rd Tampa, FL 33634 USA 813-938-6025		 Sizes : Letter Landscape	Customer:	
Material:		Finish	Qty :	Rep :
N°programme laser		N°prog. Mécanum.	N° Plan : EG087-100	