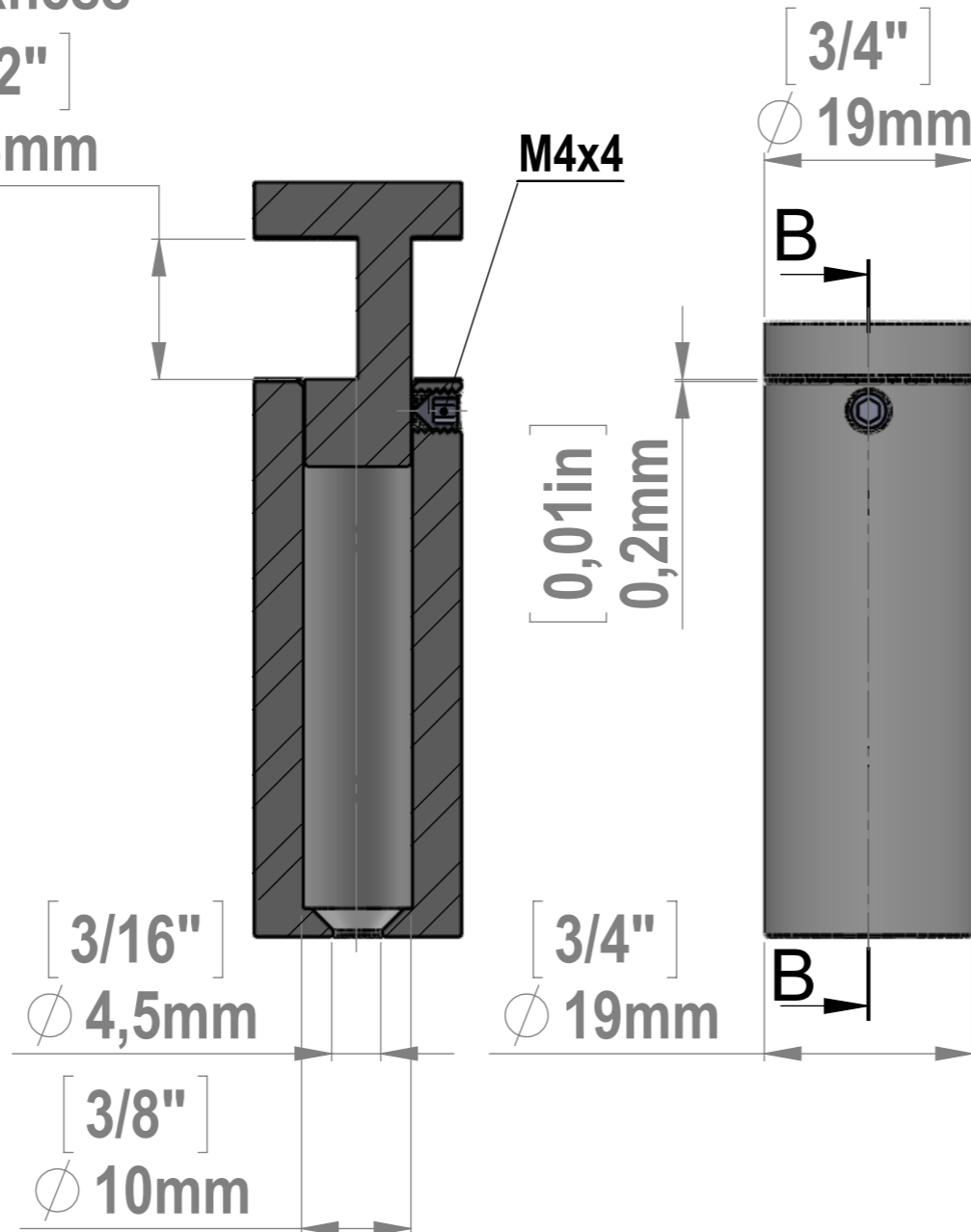
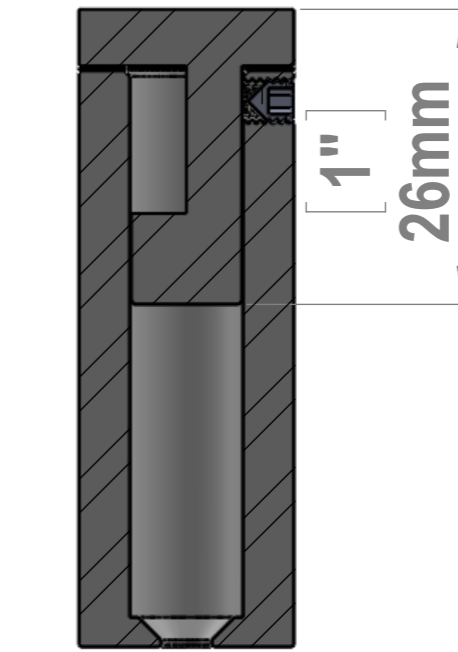


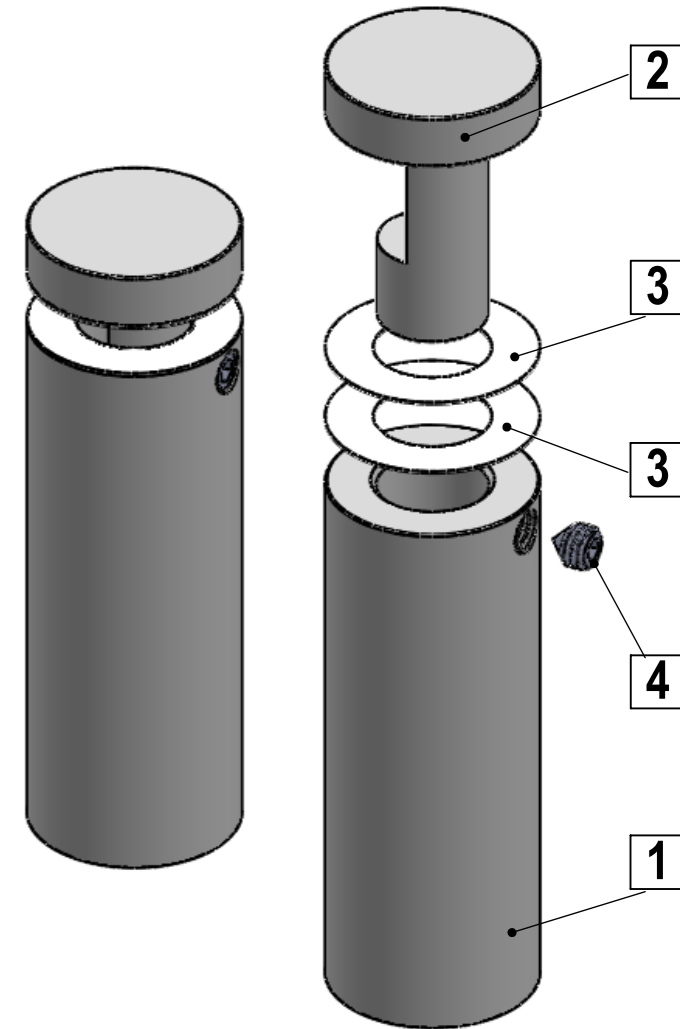
Maximum Thickness
1/2" 12,8mm



SECTION A-A
SCALE 1.5 : 1



SECTION B-B
SCALE 1.5 : 1



ITEM NO.	PART NUMBER	DESCRIPTION	QTY.
1	EG075-200_Body		1
2	EG075-100_Head		1
3	EG075_Nylon-Washer		2
4	Set_Screw_M4x4mm		1

Title : EG075-200		Scale : 1.5:1		Mbs R&D	
		Sizes : Letter Landscape		Customer:	
Mbs Standoffs 6420 Benjamin Rd Tampa, FL 33634 USA 813-938-6025		Material:		Qty : Rep :	
N°programme laser		N°prog. Mécanum.		N° Plan : EG075-200	