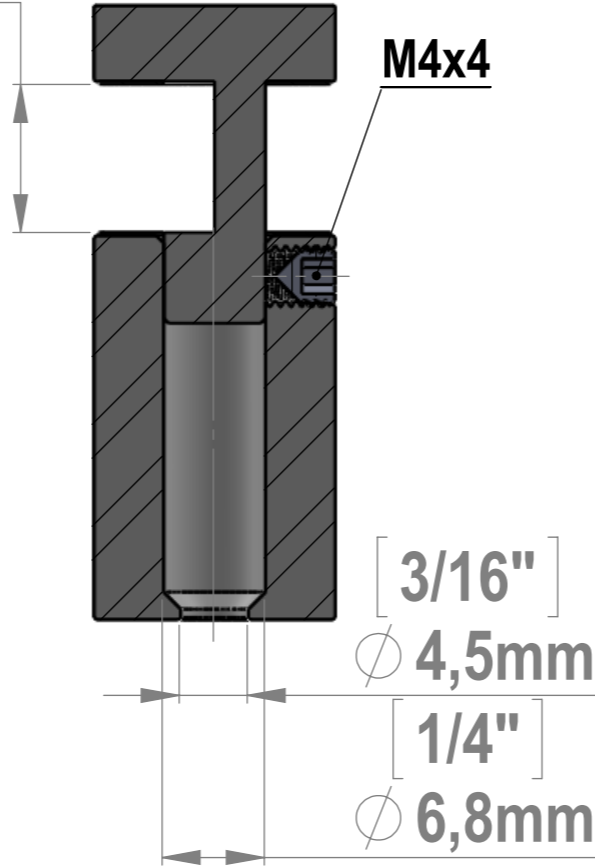
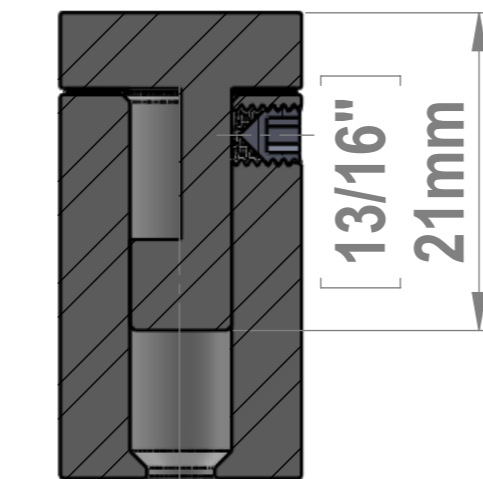


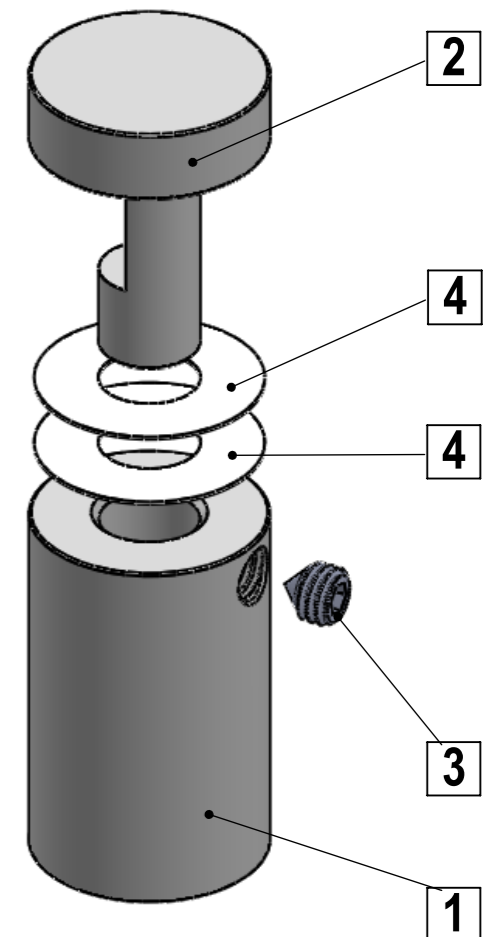
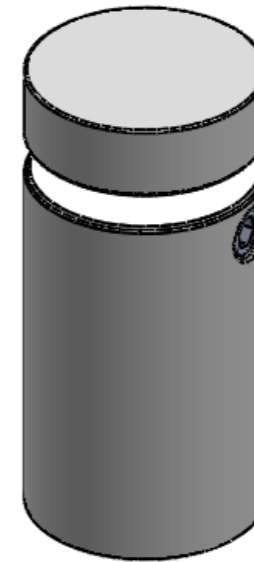
Maximum  
Thickness  
3/8"  
9,8mm



SECTION A-A  
SCALE 2:1



SECTION B-B  
SCALE 2:1



ITEM NO.	PART NUMBER	DESCRIPTION	QTY.
1	EG058-100_Body		1
2	EG058-075_Head		1
3	Set_Screw_M4x4mm		1
4	EG058_Nylon-Washer		2

Title : EG058-100		Scale : 2:1		Mbs R&D	
		Sizes : Letter Landscape		Customer:	
Material:		Finish		Qty :	Rep :
N°programme laser		N°prog. Mécanum.		N° Plan : EG058-100	



Mbs Standoffs  
6420 Benjamin Rd  
Tampa, FL 33634  
USA  
813-938-6025