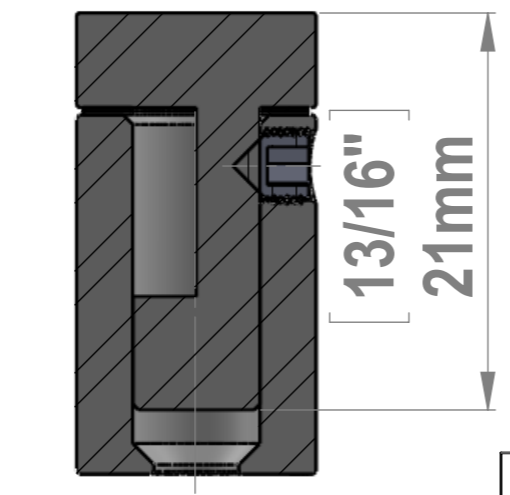
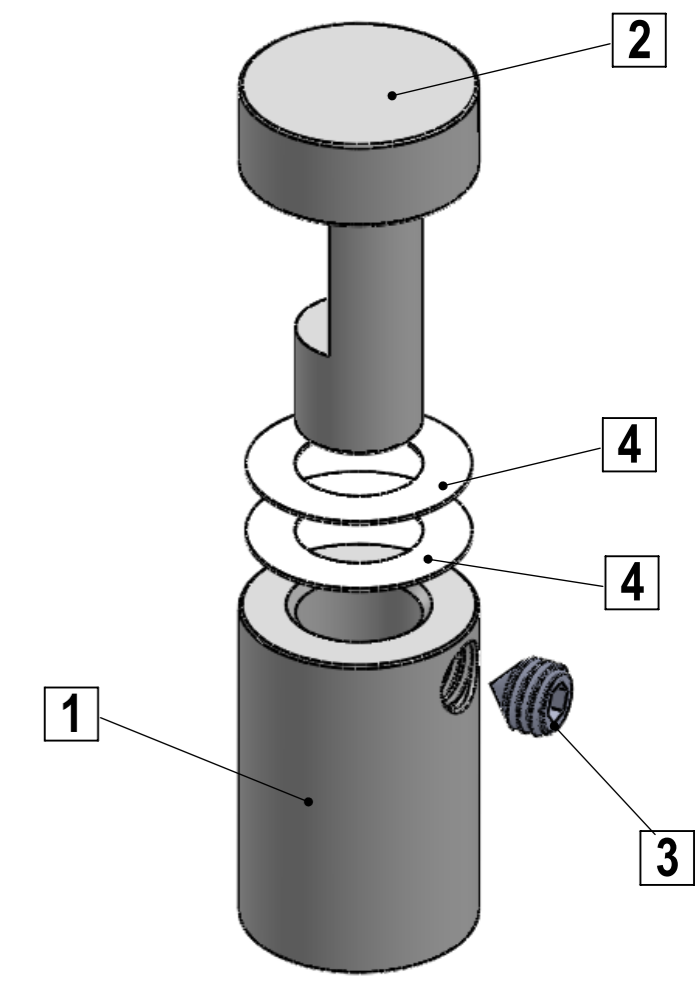
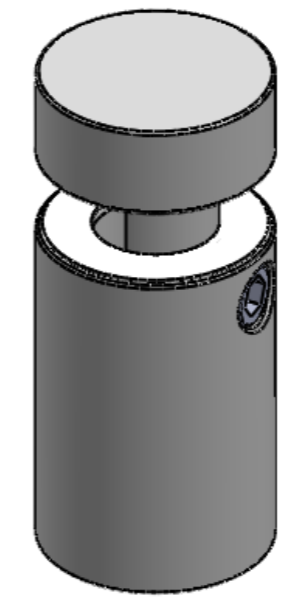



SECTION A-A
SCALE 2.5 : 1



SECTION B-B
SCALE 2.5 : 1



ITEM NO.	PART NUMBER	DESCRIPTION	QTY.
1	EG050-075_Body		1
2	EG050-075_Head		1
3	Set_Screw_M4x4mm		1
4	EG050_Nylon-Washer		2

Title : EG050-075		Scale : 2.5:1		Mbs R&D	
		Sizes : Letter Landscape		Customer:	
		Finish		Qty :	Rep :
 Mbs Standoffs 6420 Benjamin Rd Tampa, FL 33634 USA 813-938-6025		Material: N°programme laser		N°prog. Mécanum. N° Plan : EG050-075	