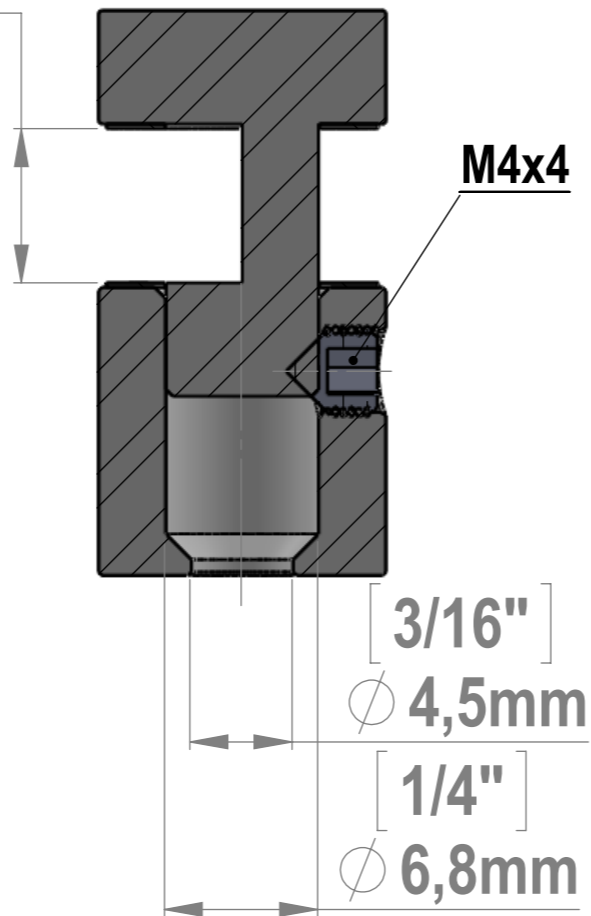
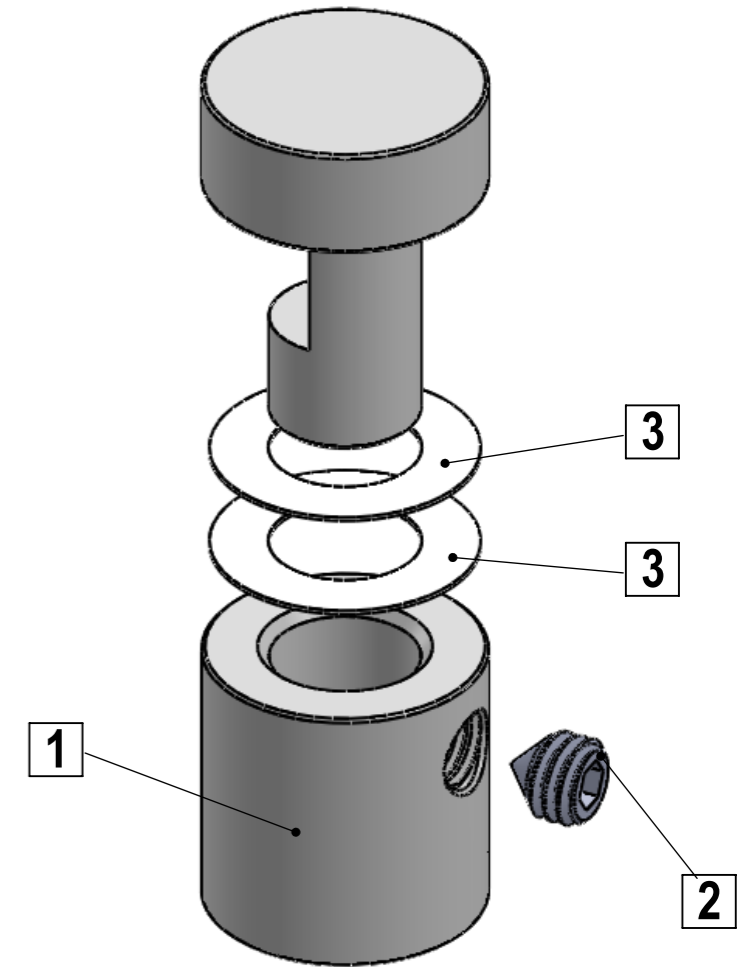
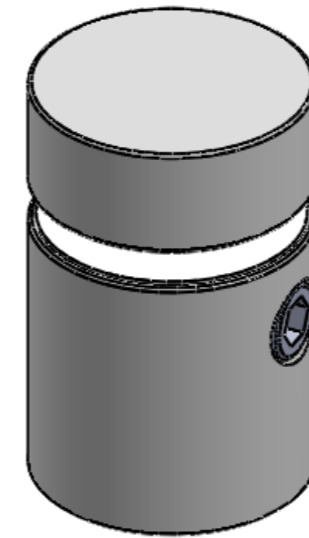
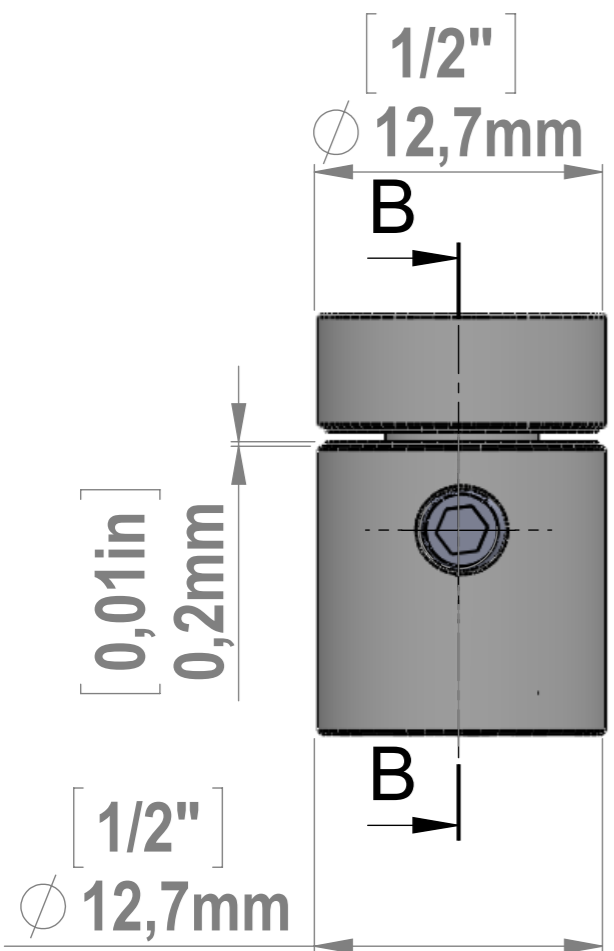
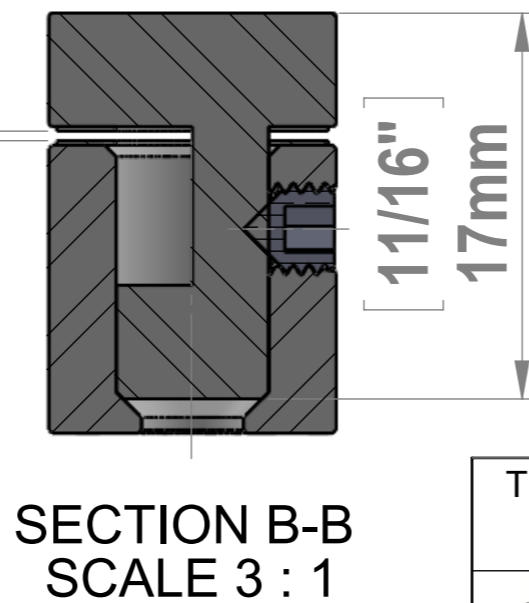


Maximum Thickness
 $\frac{1}{4}$ "
 6,8mm



Minimum Thickness
 0,02in
 0,4mm



ITEM NO.	PART NUMBER	DESCRIPTION	QTY.
1	EG050-050_Body		1
2	Set_Screw_M4x4mm		1
3	EG050_Nylon-Washer		2
4	EG050-050_Head		1

Title : EG050-050		Scale : 3:1		Mbs R&D	
		Sizes : Letter Landscape		Customer:	
Material:		Finish		Qty :	Rep :
N°programme laser		N°prog. Mécanum.		N° Plan : EG050-050	



Mbs Standoffs
 6420 Benjamin Rd
 Tampa, FL 33634
 USA
 813-938-6025