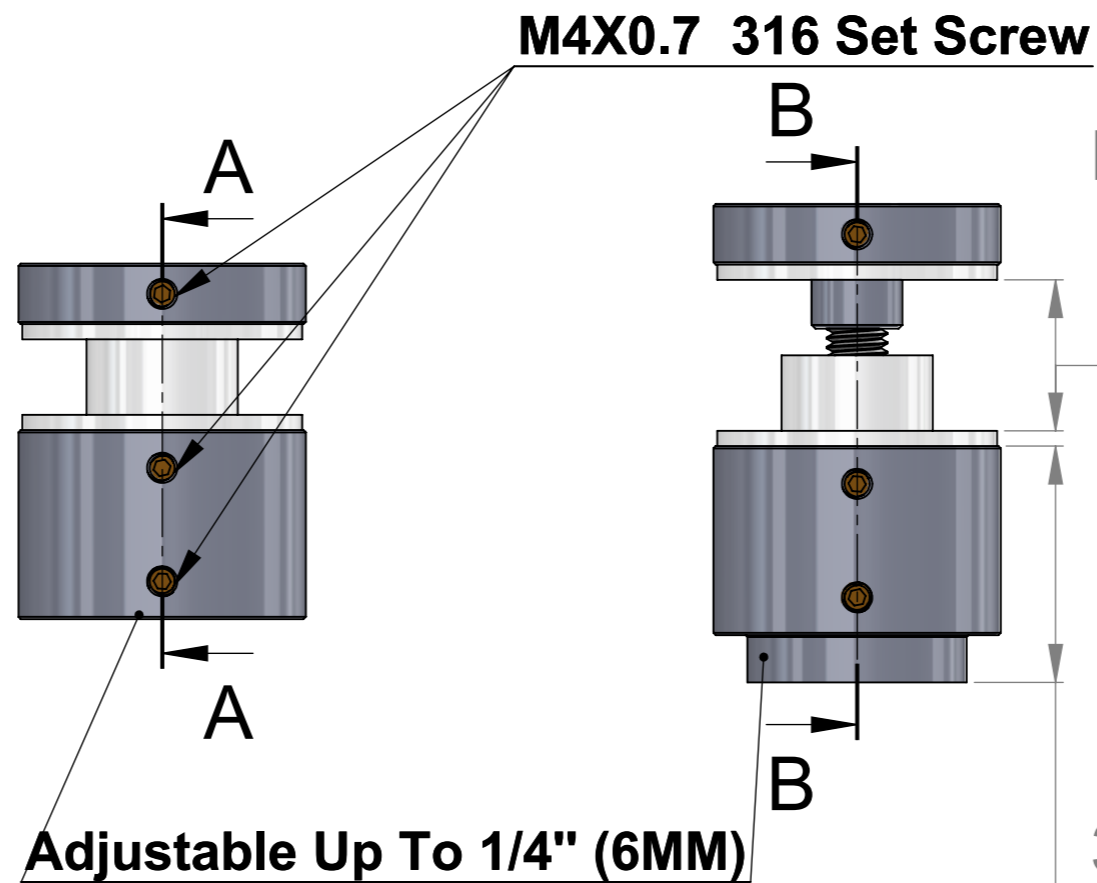


SECTION A-A
SCALE 1 : 1

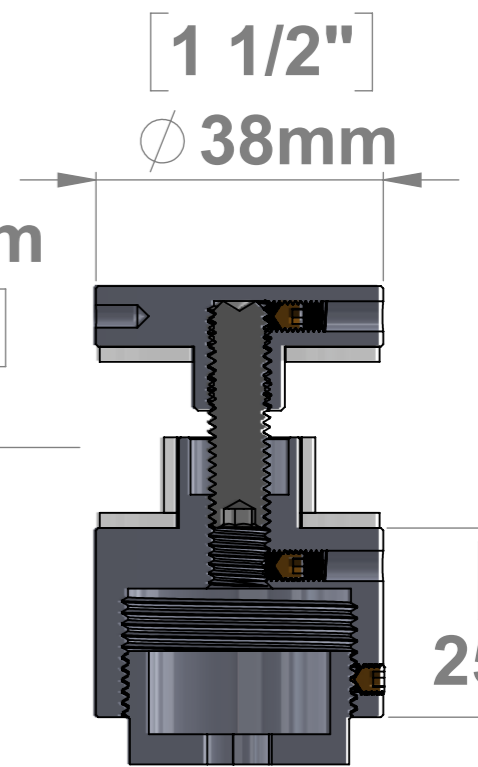


Adjustable Up To 1/4" (6MM)

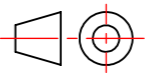

M4X0.7 316 Set Screw

Maximum
13/16"
20mm

1 1/4"
31.3mm



SECTION B-B
SCALE 1 : 1

Title : AGSB150-100			Scale : 3.5:1	Mbs R&D	
			Sizes : Letter Landscape	Customer:	
	Htm-Mbs 5046 W Linebaugh Tampa, FL 33624 T:1-813-938-6025	Material: SS316	Finish: 180 Grit / Machined	Qty:	Rep :
		N°programme laser	N°prog. Mécanum.	N° Plan : AGSB150-058	