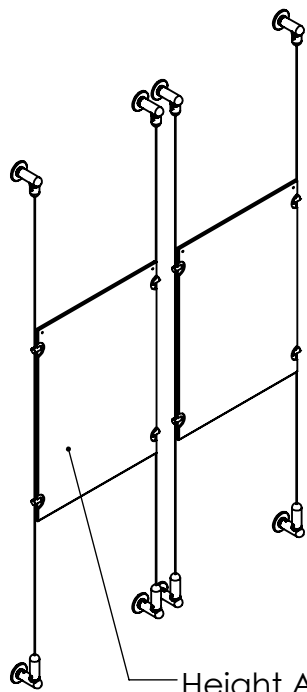


2

1

B

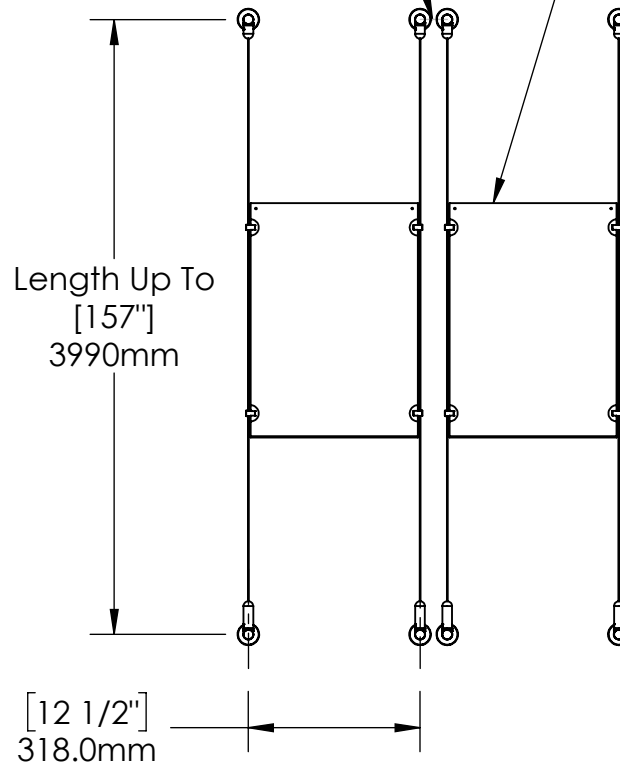
B



Height Adjustable  
Acrylic and Panel Grippers

Recommended Spacing [2"] 50mm

Acrylic For Media  
11" X 17"



A

A

2

1



**Mbs Standoffs**  
5046 W Linebaugh Ave  
Tampa, FL 33624 USA  
(813) 938-6025

ASSEMBLY NO.  
**ACG1908-1117-2X1**

SCALE: 1:14

SHEET 1 OF 1