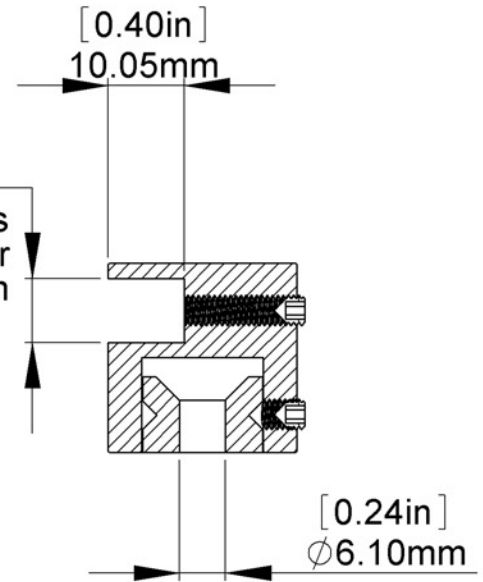
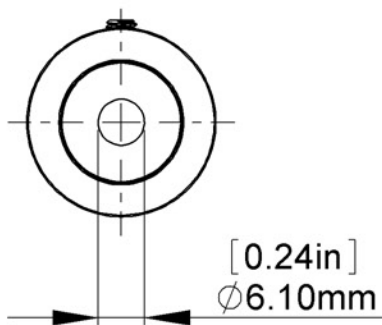


[0.33in] 8.50mm  
Glass Thickness  
2 x 4mm or  
1 x 8mm



**SECTION A-A**



Item	Qty.	Description
[1]	1	105.025 Body
[2]	1	105.025 Support
[3]	2	M4x4mm Set Screw

Title : **105.025**



Scale : 1:1

Mbs R&D

Sizes : Letter Portrait

Customer:



MBS Sign USA  
Tel.: 352-593-4151  
Fax: 352-796-4437  
Brooksville, FL

Material:

Finish

Qty :

Rep :

N°programme laser

N°prog. Mécanum.

N° Plan : 105.025