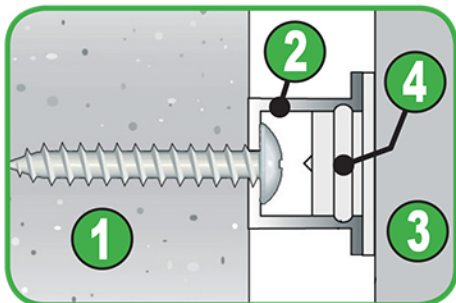




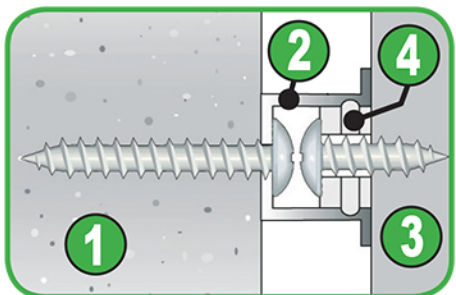
Our selection of quick fasteners for cut out letters the «Quick Snap» system is used for the installation of letters in relief. No drilling or obviously visible screws on the face of the letters. The system is very simple and quick to use.

Adhesive mounted



- ❶ Surface
- ❷ Body with screw
- ❸ Letter
- ❹ Head with adhesive

Screw mounted



- ❶ Surface
- ❷ Body with screw
- ❸ Letter
- ❹ Head with screw

The directions below are general installation recommendations. The weight of each fastener depends on the conditions of use. To avoid unnecessary tension it is advisable to avoid over tightening of the body support.



Quick Snap fasteners can be secured without problems by using our Quick Snap adhesive for all letters made from acrylic or expanded PVC, or, by using our 2 component adhesive for letters out of aluminum, brass, stainless or multi layer aluminum enamel.



- ❶ Always use stainless steel screws.
- ❷ Tighten the screws through the fastener, then loosen a quarter of a turn.
- ❸ The fasteners must be used exclusively for letters.
- ❹ Use one fastener per 4" (10 cm)

Mbs Standoffs

5046 W. Linebaugh Ave. Tampa, FL 33624
(813) 938-6025 Fax: 813-425-9007
www.mbs-standoffs.com



Quick Snap Steps

1

Using adhesive place the Head support on the back of the letters.



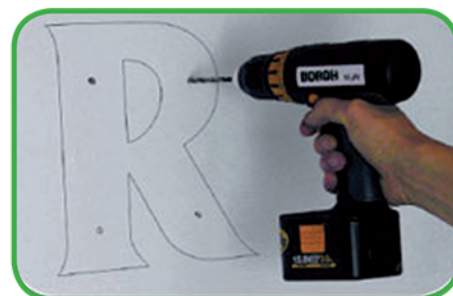
2

Place the letter against the template and use pressure to mark placement of pilot holes.



3

Place template and drill appropriately.



4

Attach Body ends in correct positions.



5

Securely Snap the letters into place using slight pressure.

