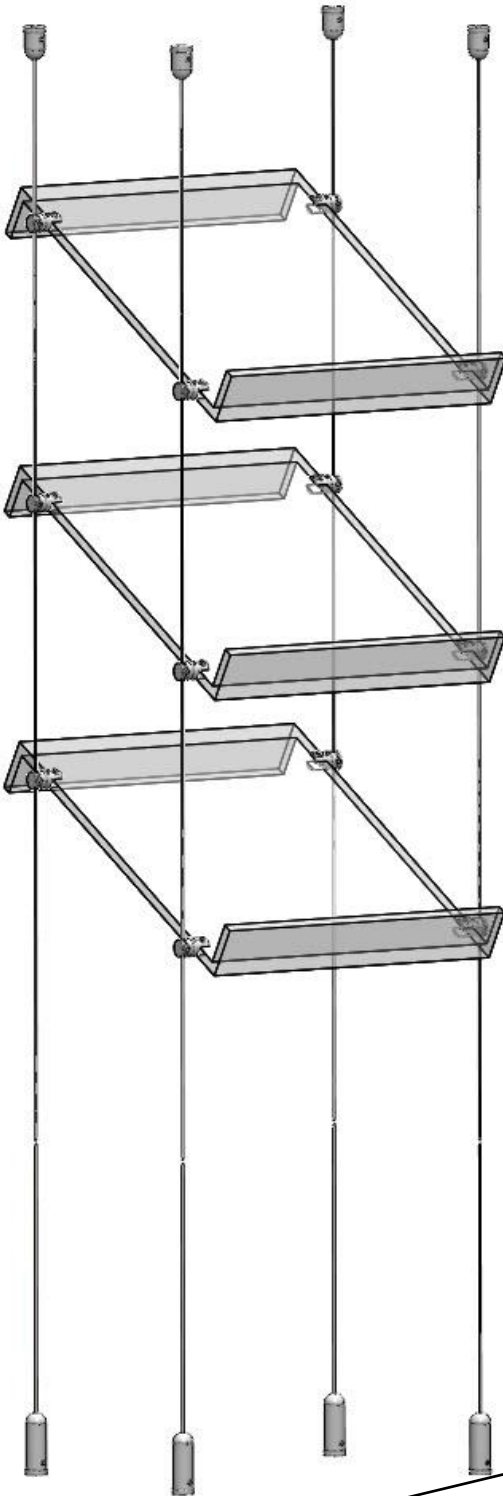


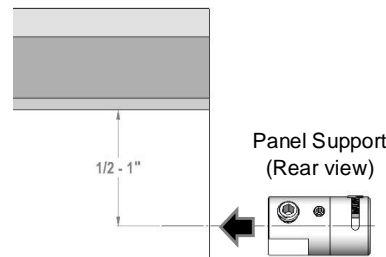
Installation Guidelines

Batch



Panel Fixing CA1620 & CA1622 Support Installation

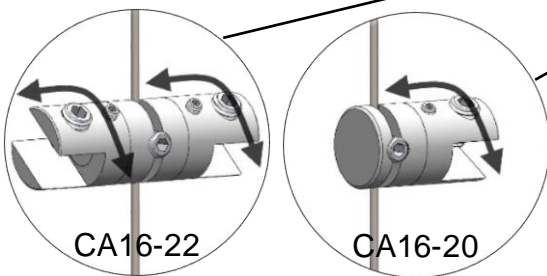
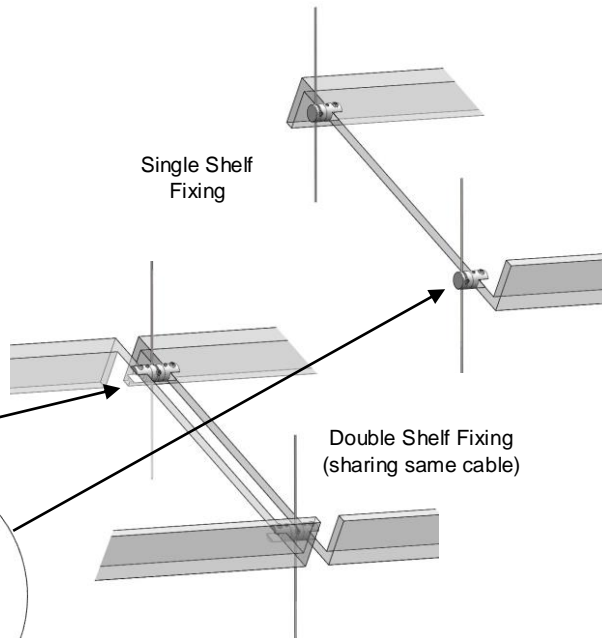
1) Using a plumb-line, descend from (A), and affix (F) to the floor using appropriate type of fixing.



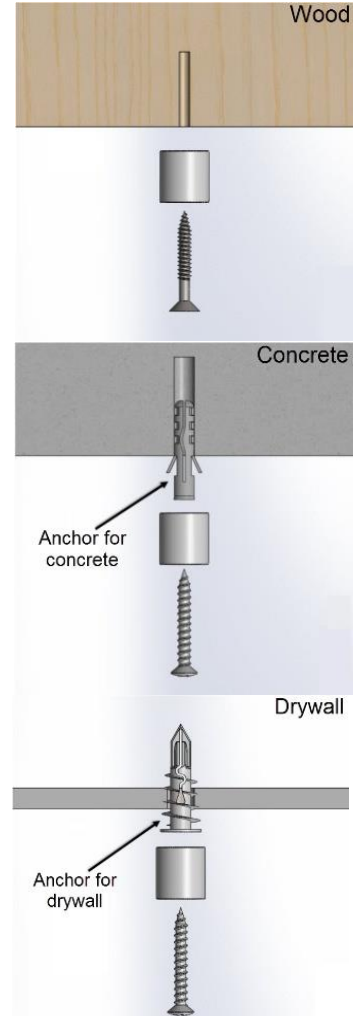
2) Using a plumb-line, descend from (A), and affix (F) to the floor using appropriate type of fixing. For isolated cable remember to include the **SP/IS**.

3) Loosen the grub screws in fitting (E), using the allen key provided, and slide fittings (C), (D), and (E) up the cable.

4) Pull down and cut off excess cable in-line with the decorative line around fitting (F) (see below).



Installation Tips



It is essential to check that the top ceiling fixings are strong enough to take the weight of the items being displayed, while allowing for the tension in the cables.. All installation must be done so with proper hardware and protective gears to ensure safety. It is important to check that parts are properly tightened at the end of each installation.

Address: Htm-Mbs
6420 Benjamin Rd,
Tampa, FL. 33634



Phone : 1-813-938-6025
Fax : 1-813-425-9007
Mail: sales@mbs-standoffs