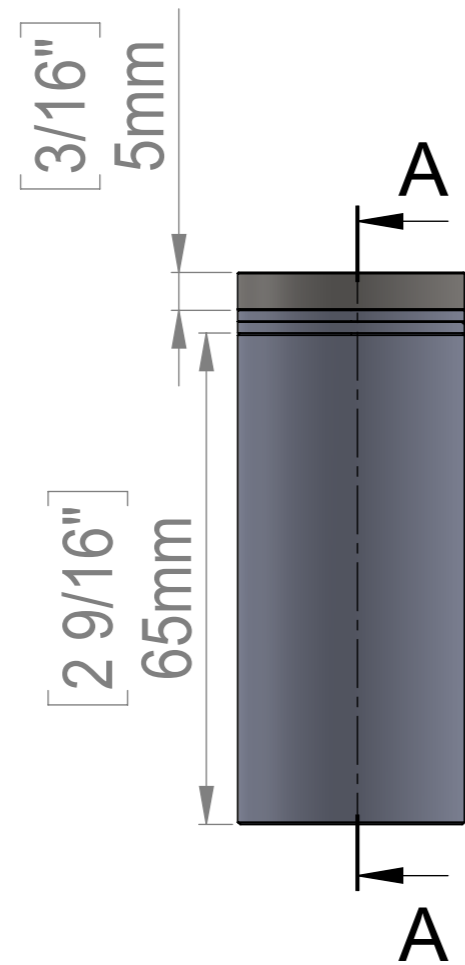
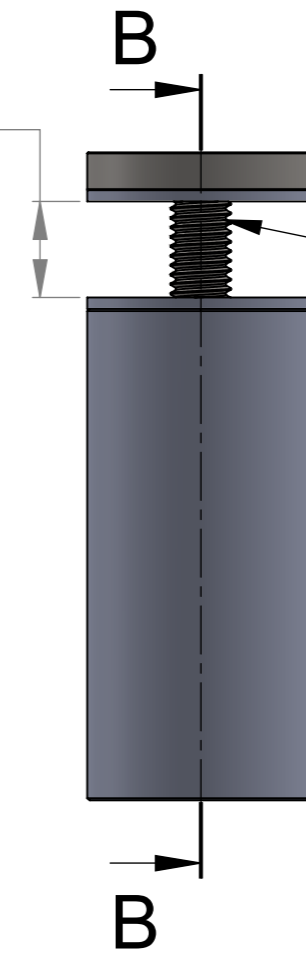


Maximum Material
Thick. Accepted

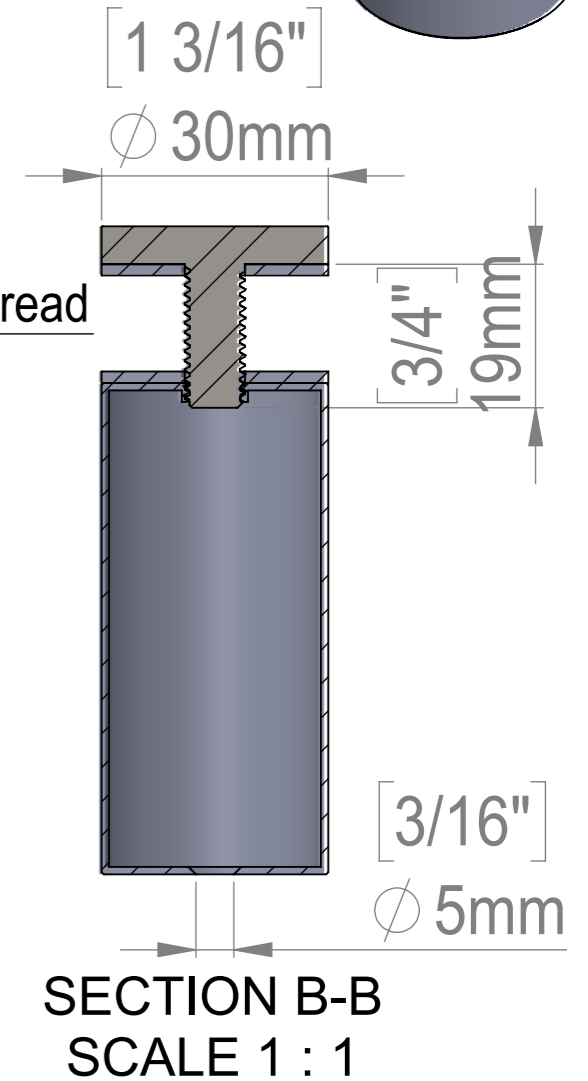
[1/2"]
12.7mm



2 Silicone Washer



M10 Thread



SECTION A-A
SCALE 1 : 1

SECTION B-B
SCALE 1 : 1

Title : HBL*30-70			Scale : 3.5:1		Mbs R&D	
 Htm-Mbs 5046 W Linebaugh Tampa, FL 33624 T: 1-813-938-6025			Material: Hollow SS201		Customer:	
N°programme laser		Finish: Satin Brushed		Qty :		Rep :
		N°prog. Mécanum.		N°:		