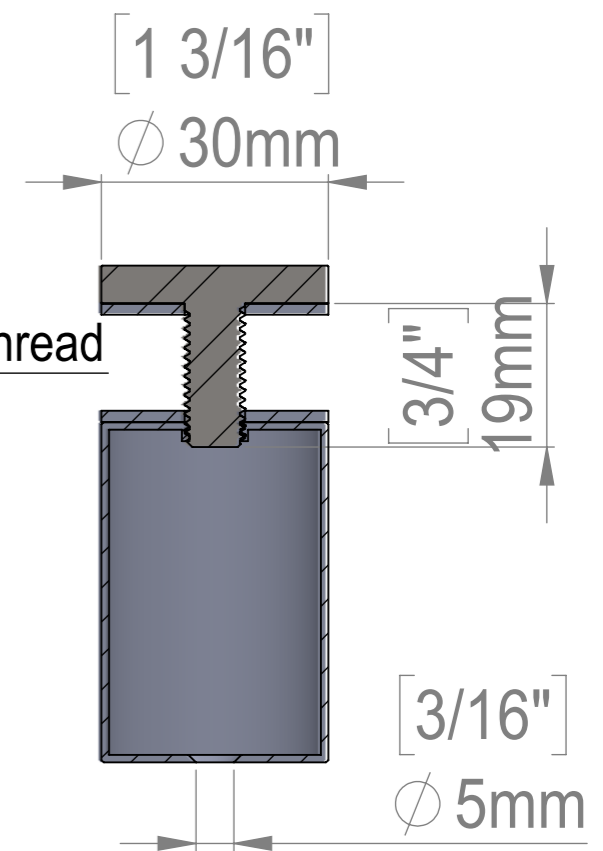
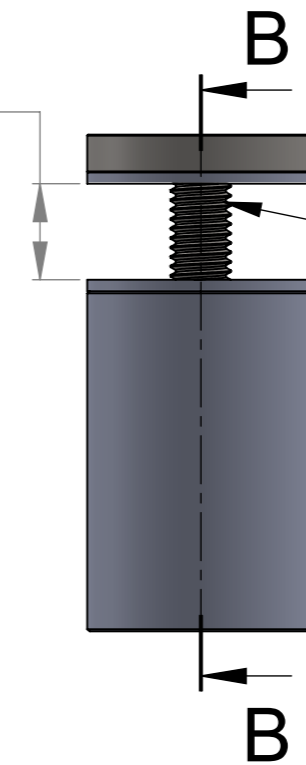
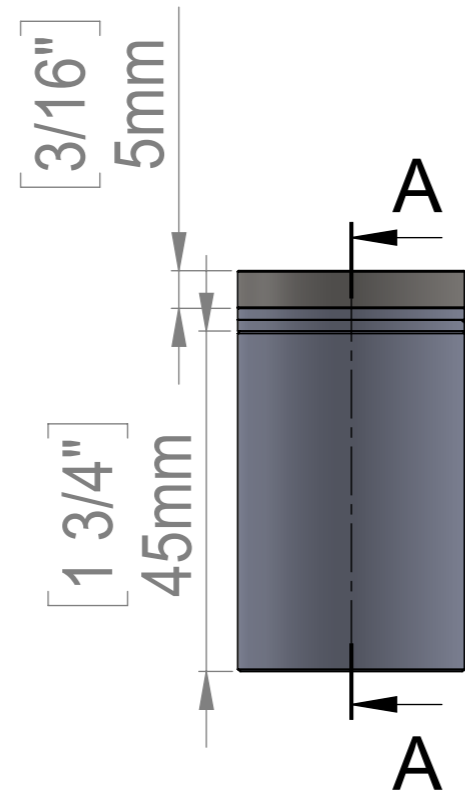


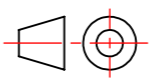

Maximum Material
 Thick. Accepted

[1/2"]
 12.7mm



SECTION A-A
 SCALE 1 : 1

SECTION B-B
 SCALE 1 : 1

Title : HBL*30-50		 Scale : 3.5:1 Sizes : Letter Landscape	Mbs R&D	
 Htm-Mbs 5046 W Linebaugh Tampa, FL 33624 T: 1-813-938-6025			Customer:	
Material: Hollow SS201		Finish: Satin Brushed	Qty :	Rep :
N°programme laser		N°prog. Mécanum.	N°:	