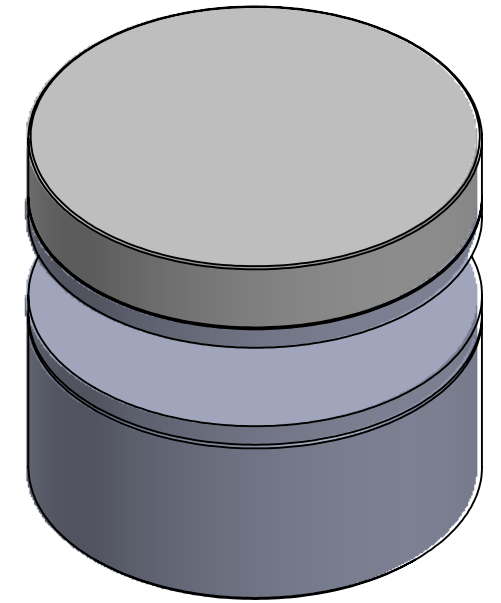
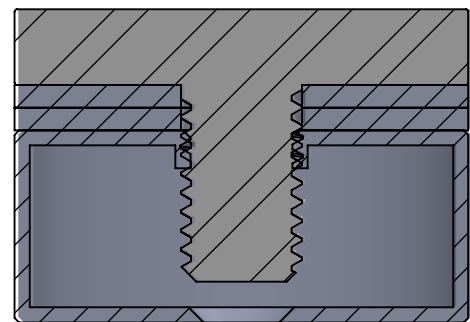


[1 3/16"]  
 $\phi$  30mm

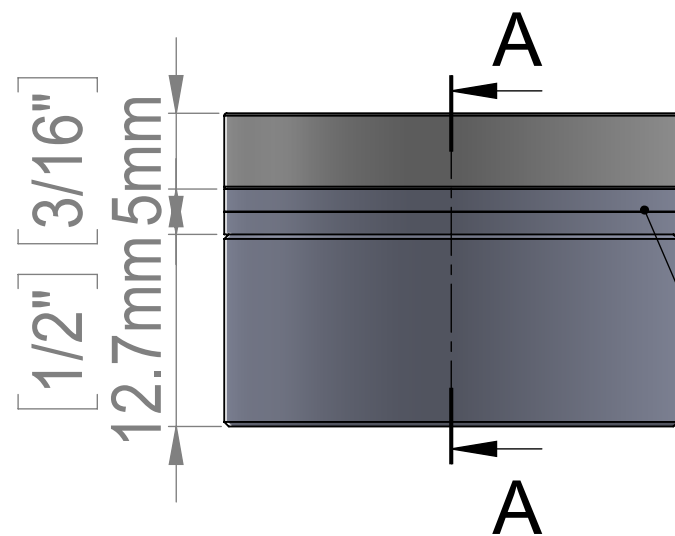


Maximum Material  
 Thick. Accepted

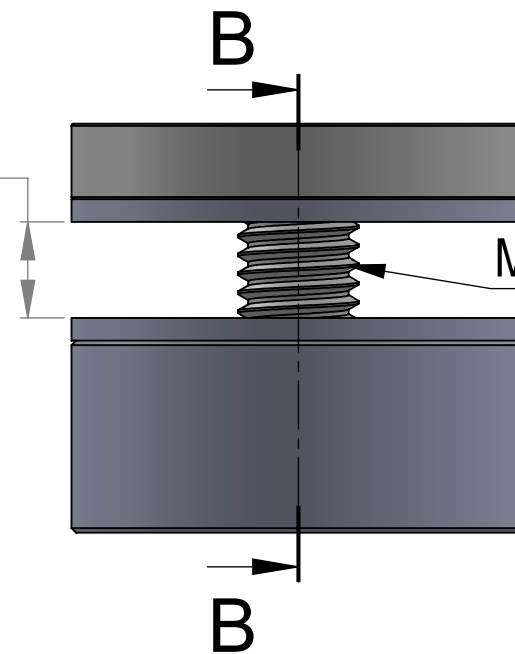
[1/4"]  
 6.4mm



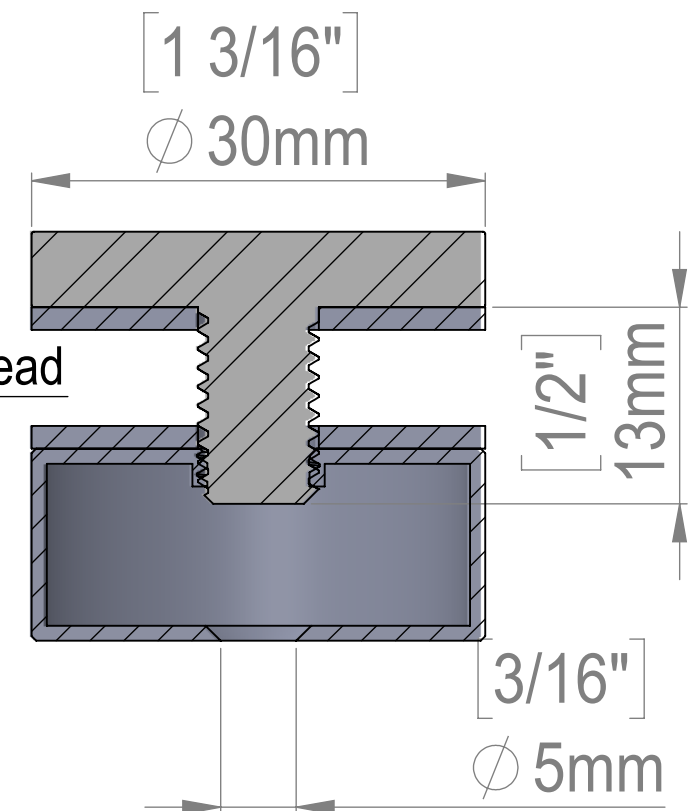
SECTION A-A



2 Silicone Washer



M10 Thread



SECTION B-B

Title : <b>HBL *30-12</b>			Scale : 3.5:1	Mbs R&D	
			Sizes : Letter Landscape	Customer:	
 Htm-Mbs 5046 W Linebaugh Tampa, FL 33624 T: 1-813-938-6025	Material: Hollow SS201	Finish: Satin Brushed	Qty :	Rep :	
	N°programme laser	N°prog. Mécanum.	N°:		