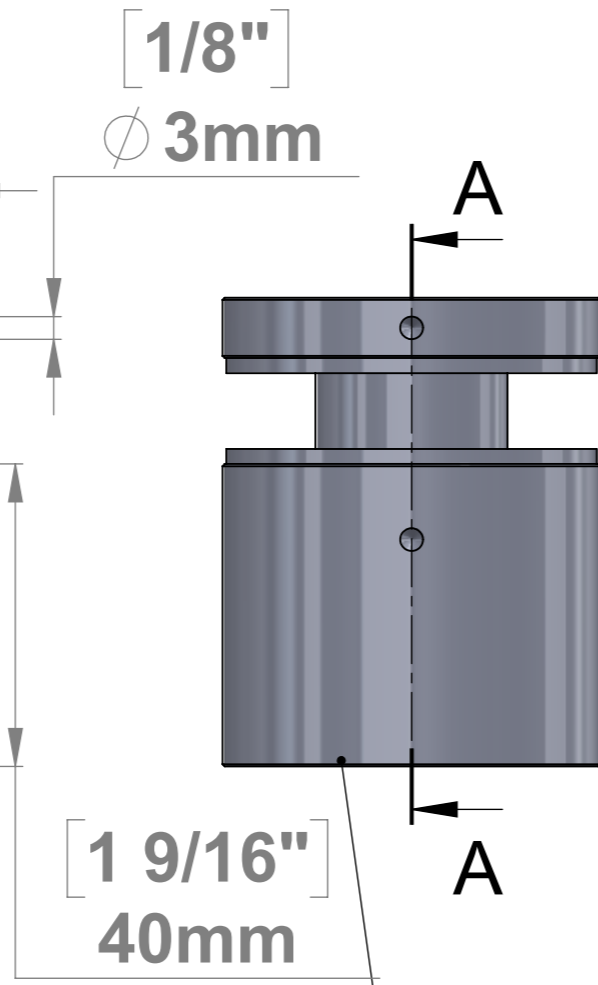
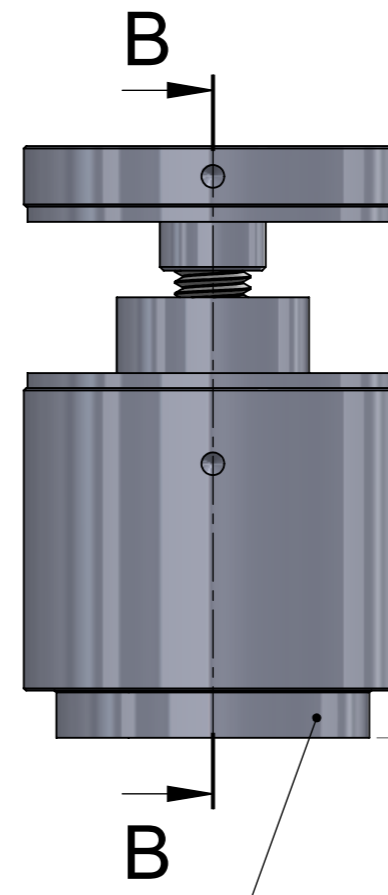


SECTION A-A
SCALE 1 : 1

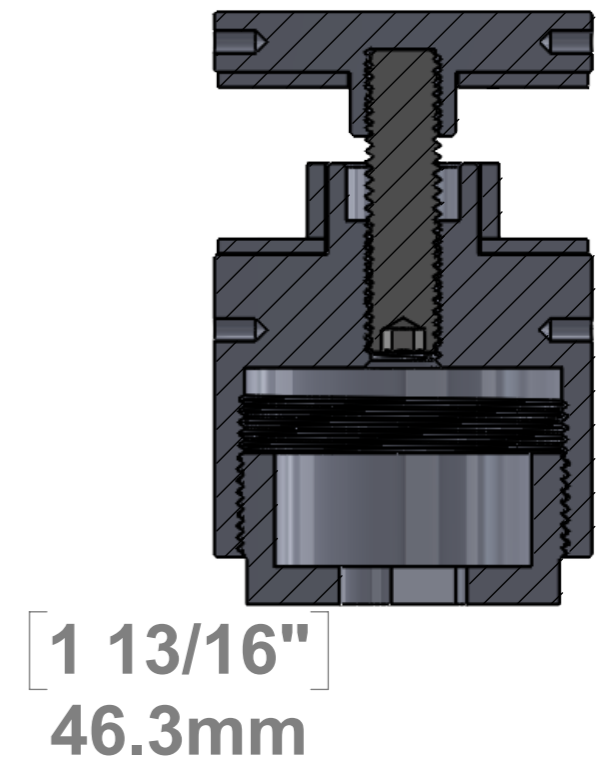


1 9/16" 40mm



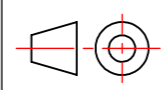

Adjustable Up To 1/4" (6MM)

Up To
13/16" 20mm



1 13/16" 46.3mm

SECTION B-B
SCALE 1 : 1

Title : AGSB200-150			Scale : 3.5:1	Mbs R&D	
			Sizes : Letter Landscape	Customer:	
 Htm-Mbs 5046 W Linebaugh Tampa, FL 33624 T:1-813-938-6025	Material: SS316	Finish: 180 Grit / Machined	Qty:	Rep :	
	N°programme laser	N°prog. Mécanum.	N° Plan : AGSB200-150		