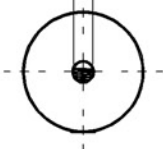




[0.10in]
 $\phi 2.55\text{mm}$



[0.63in]
 $\phi 16\text{mm}$

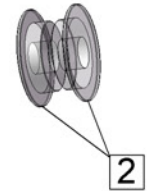
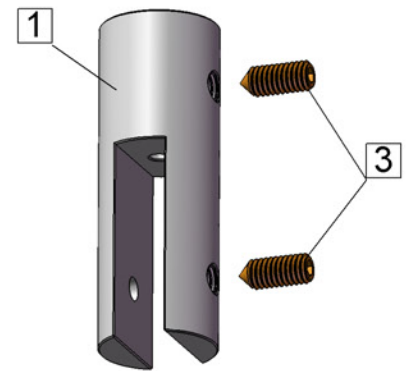
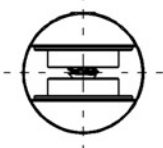
A

[1.77in]
 45mm

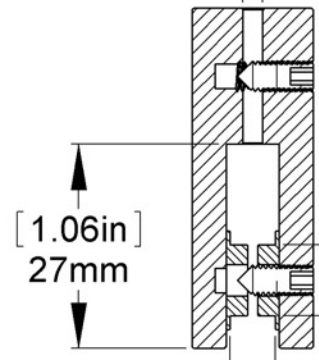
M4 Set Screw

A

[0.56in]
 14.21mm



[0.10in]
 $\phi 2.55\text{mm}$



[0.37in]
 $\phi 9.40\text{mm}$

[1.06in]
 27mm

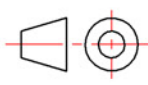
[0.24in]
 6mm

Glass Thickness 6mm

SECTION A-A

Item	Qty.	Description
[1]	1	100.267 Body
[2]	2	100.206 Washer
[3]	2	M4x10mm Set Screw

Title : **100.267**



Scale : 1:1

Mbs R&D

Sizes : Letter Portrait

Customer:



MBS Sign USA
 Tel.: 352-593-4151
 Fax: 352-796-4437
 Brooksville, FL

Material:

Finish

Qty :

Rep :

N°programme laser

N°prog. Mécanum.

N° Plan : 100.267