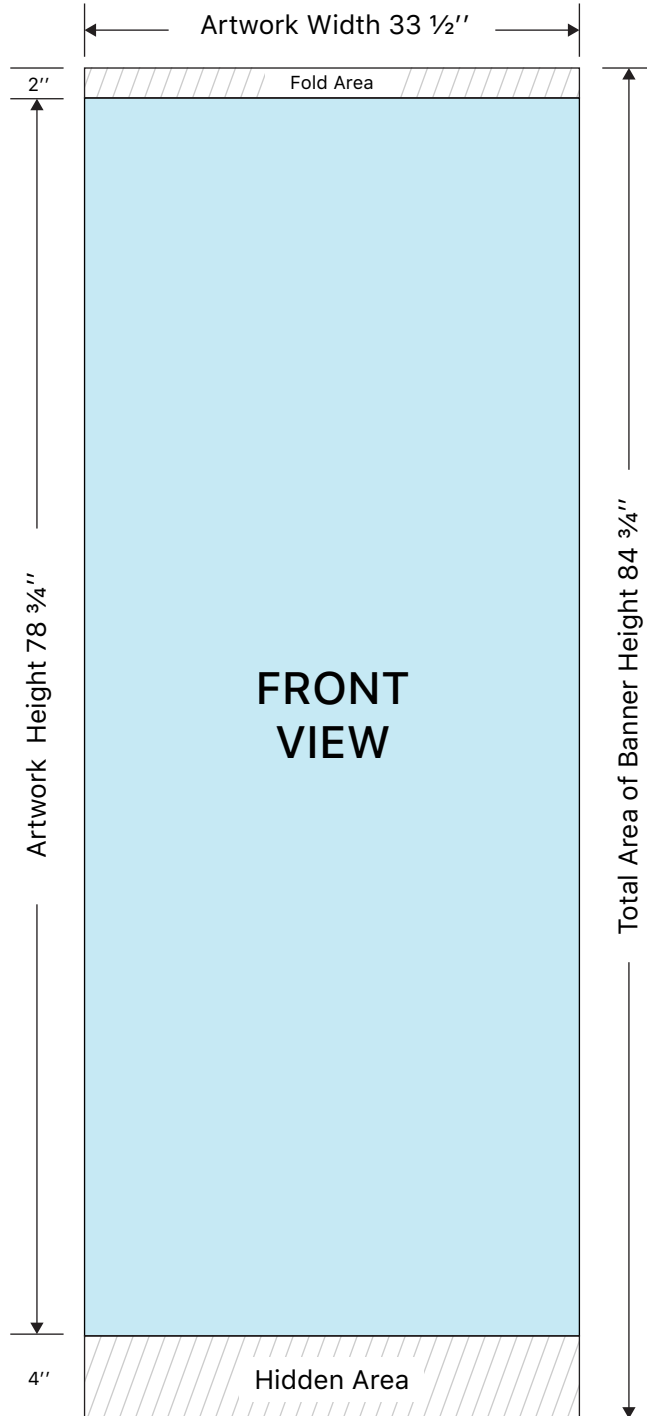




Aluminum Economic Roll-Up Banner Assembly Instruction

SKU: ERU850

Your equipment includes:
Top Rail, Bungee Pole, Base, and Travel Bag (*Media not included*)

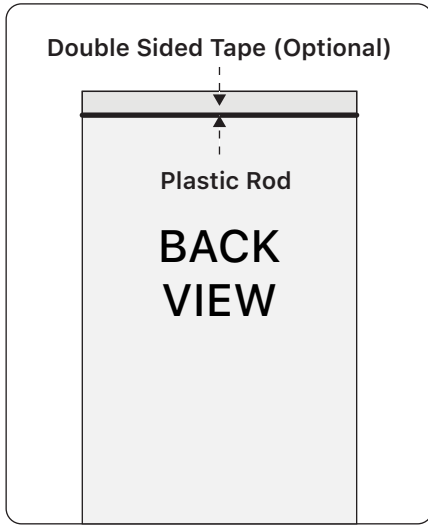


!

KONG FILM
11 mil Flexible Polyethylene Film
Waterfast
2" Core

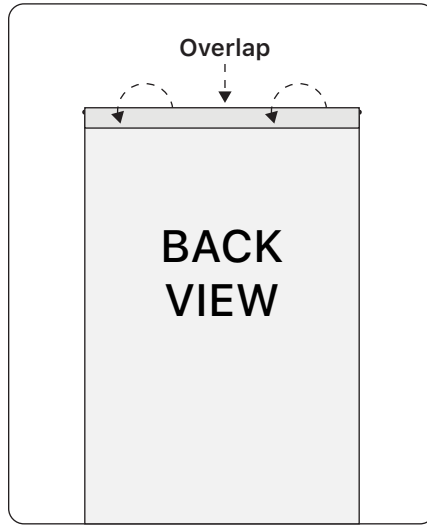
Visit mbs-signsupply.com
for recommended tools
and vinyl films





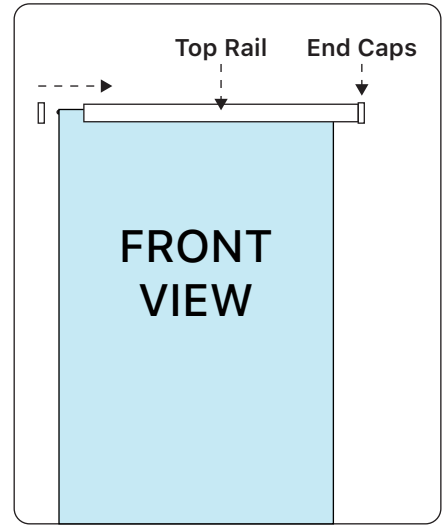
Step 1

Add tape along top edge of banner and line up rod 1/4" below.
(Tape Optional, not included)
 or start from **Step 2**.



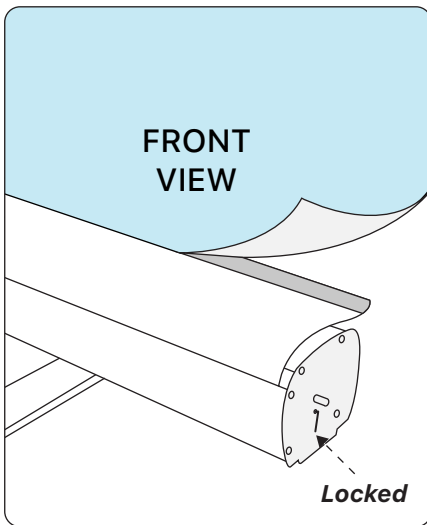
Step 2

Fold banner material over plastic rod.



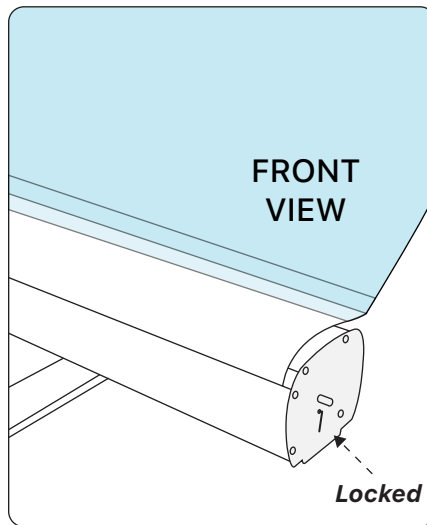
Step 3

Slide banner material into top rail, add caps on each end.



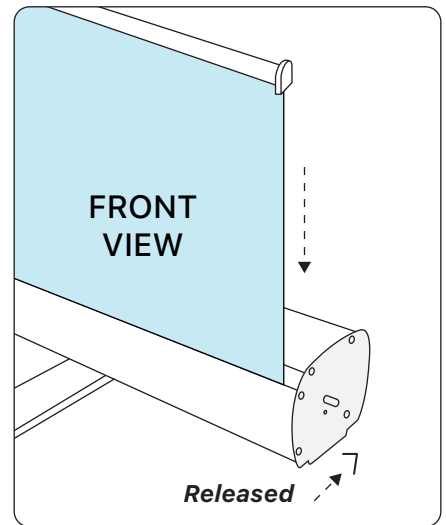
Step 4

For first time use, attach the banner onto double-sided tape.



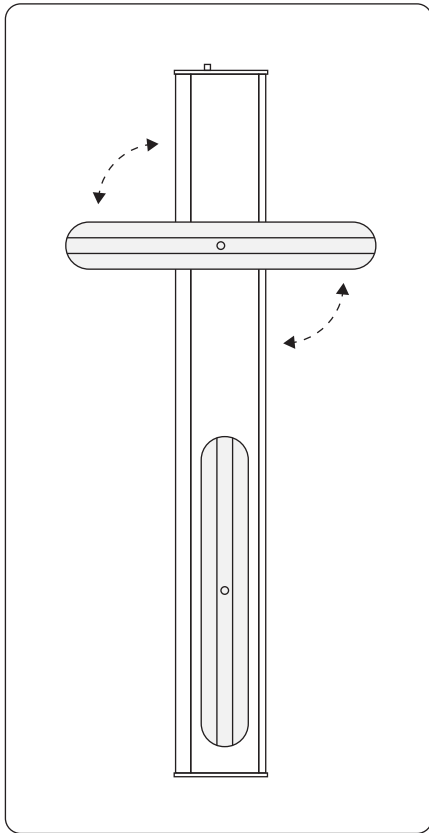
Step 5 (Optional)

Use plastic tape over banner material for extra grip.



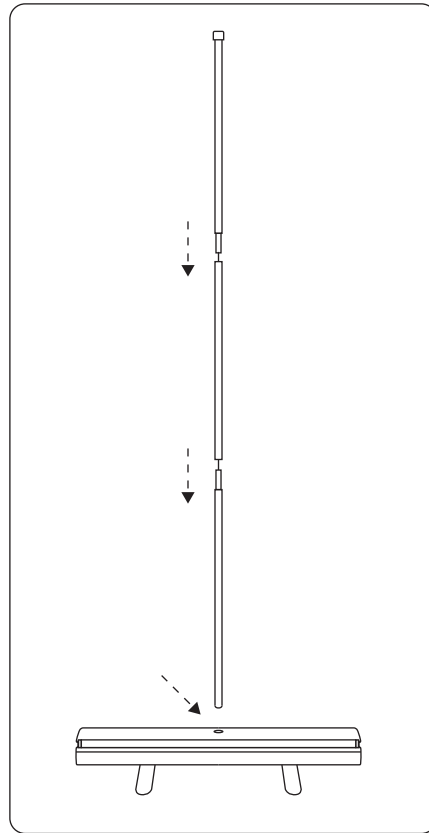
Step 6

While holding banner tightly remove security pin slowly retract banner material back into stand.



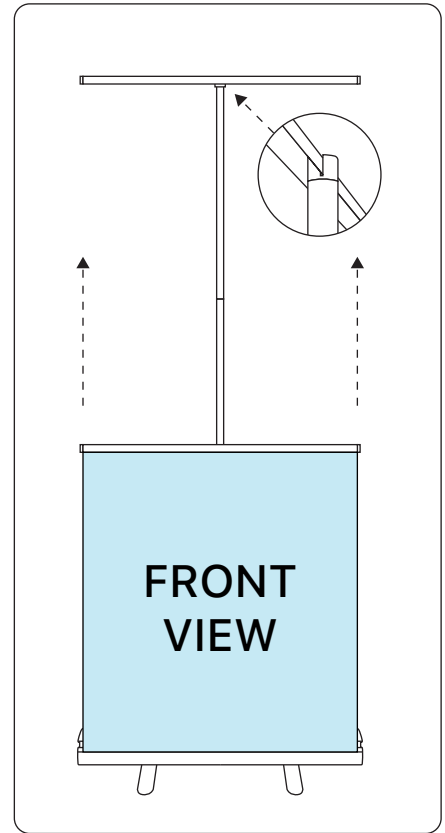
Step 7

Pivot the attached feet so that they are perpendicular to the Roll-Up canister.



Step 8

Insert the pole into the center hole in the base of the stand.



Step 9

Gently pull the banner up out of the canister and the pole in the socket on silver bar at the top of the banner.



visit ***mbs-signsupply.com***
for more information!

***Vinyl, Medias, Papers, Inks, Signs, Lights,
Standoffs, Tools, Hardware and more...***

Any questions?

Call +1 (813) 938-6025 or

Email contact@mbs-signsupply.com

Live Chat Available!

