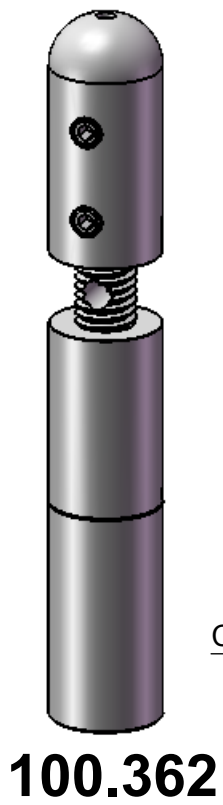


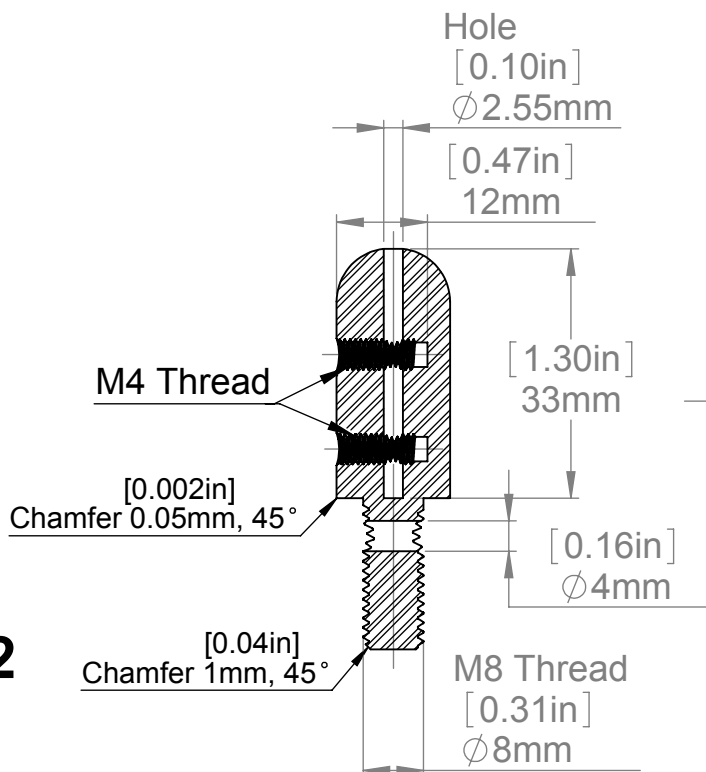


SS Cable Long
16' 4" Diameter:
1/16" (1.50 mm)
100.385

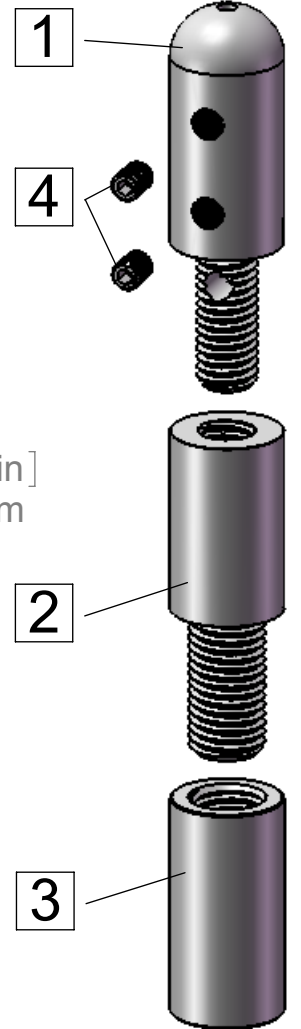
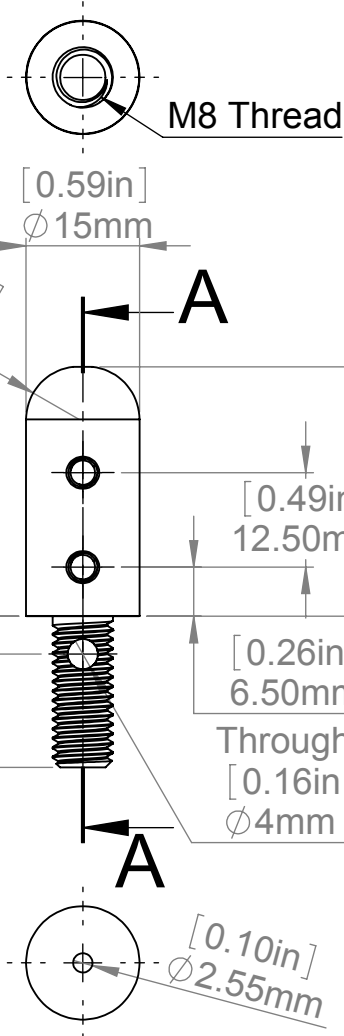


100.362

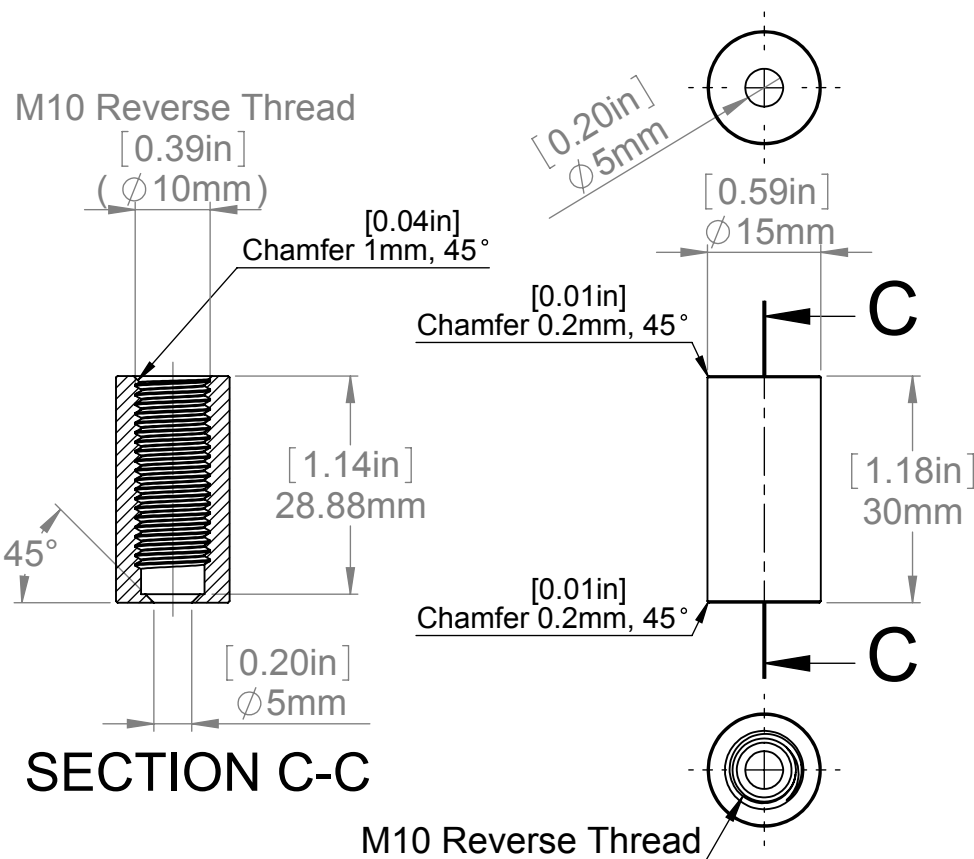
1 100.362 Body (Scale 1:1)



SECTION A-A

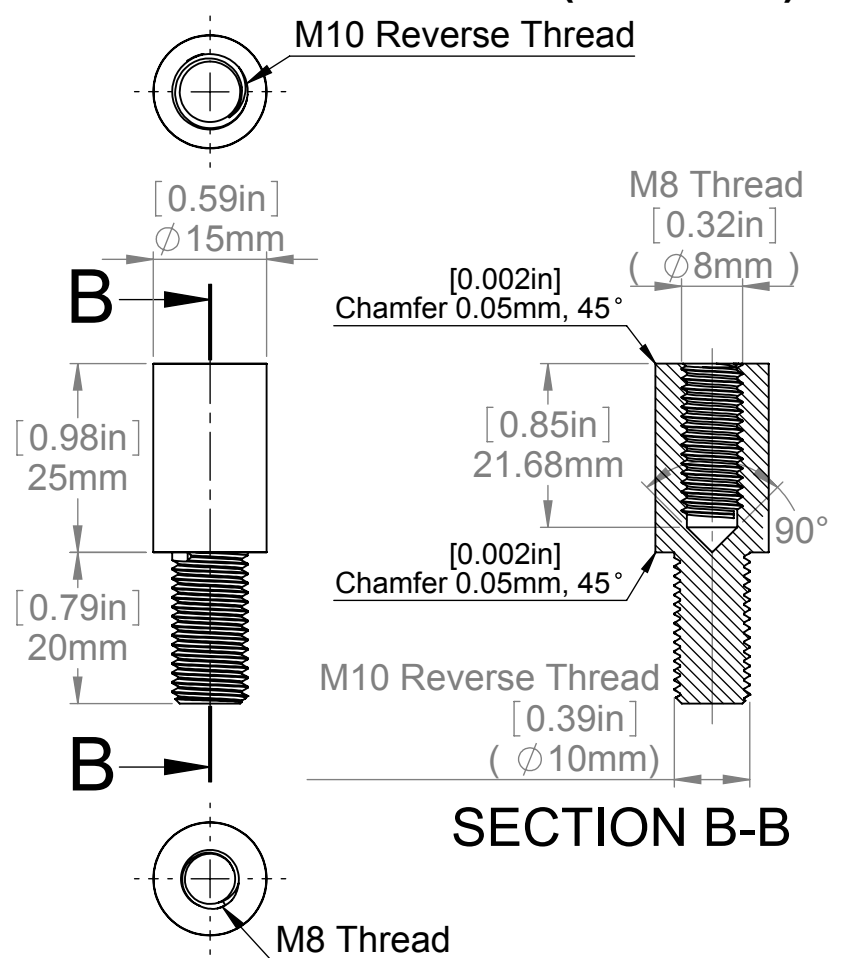


3 100.362 Support with M10 Reverse Thread (Scale 1:1)



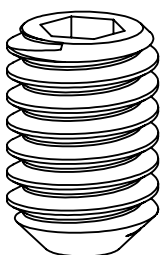
SECTION C-C

2 100.362 Body with M10 Reverse Thread (Scale 1:1)




SECTION B-B

4 M4xL6mm Set Screw (Scale 5:1)

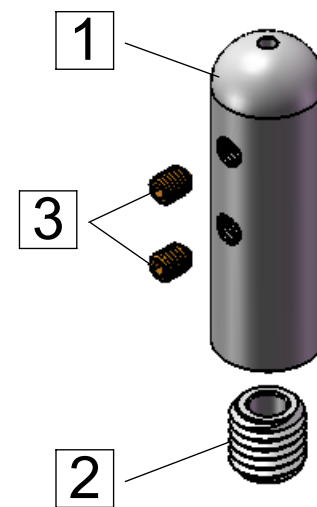
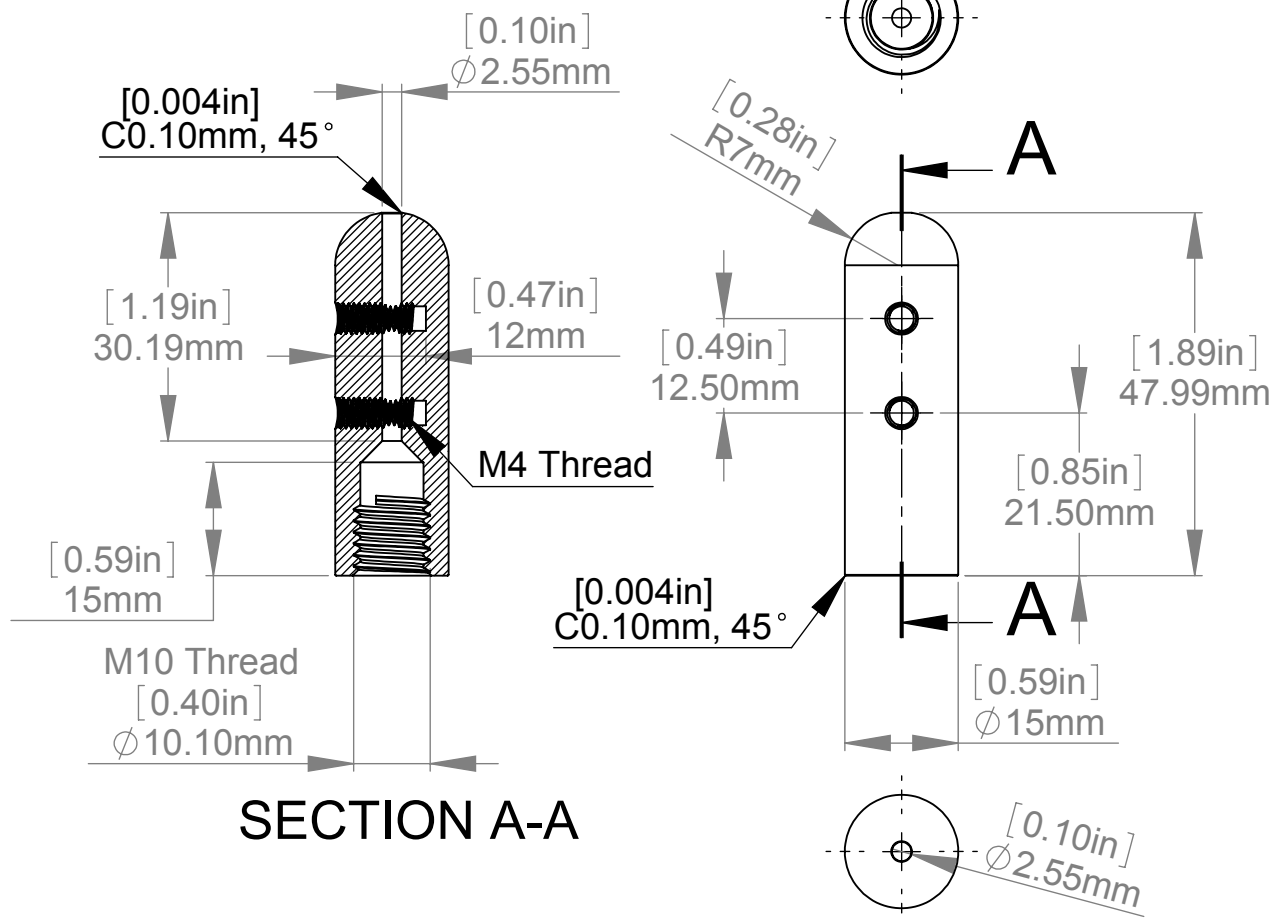


Item	Qty.	Description
1	1	100.362 Body
2	1	100.362 Body with M10 Reverse Thraed
3	1	100.362 Support with M10 Reverse Thraed
4	2	M4xL6mm Set Screw

Title : 100.362		Scale : Free		Mbs R&D	
		Sizes : Letter Landscape		Customer:	
		Finish		Qty :	Rep :
 MBS Sign USA Tel.: 352-593-4151 Fax: 352-796-4437 Brooksville, FL		Material:		N° prog. Mécanum.	
		N°programme laser		N° Plan : 100.362_datasheet	

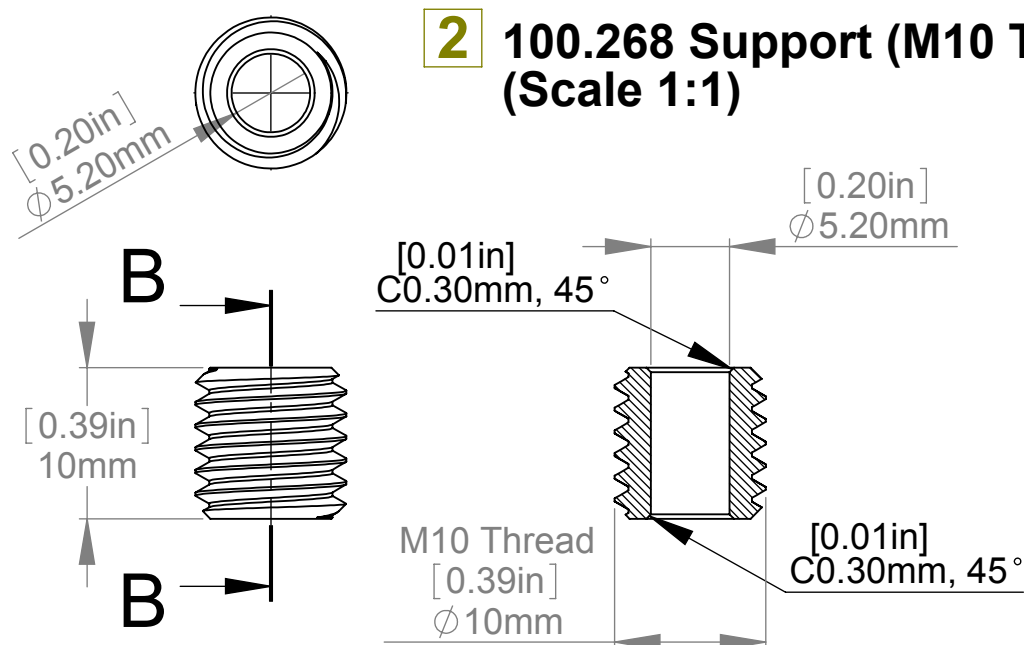


**1 100.363 Body
(Scale 1:1)**



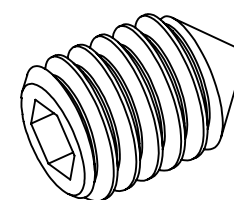
SECTION A-A

**2 100.268 Support (M10 Thread)
(Scale 1:1)**



**SECTION B-B
Scale 2 : 1**

**3 M4xL6mm Set Screw
(Scale 5:1)**



Item	Qty.	Description
1	1	100.363 Body
2	1	100.268 Support (M10 Thread)
3	2	M4xL6mm Set Screw

Title : 100.363			Scale : Free		Mbs R&D	
			Sizes : Letter Landscape		Customer:	
	MBS Sign USA Tel.: 352-593-4151 Fax: 352-796-4437 Brooksville, FL	Material:	Finish		Qty :	Rep :
	N°programme laser	N°prog. Mécanum.		N° Plan : 100.363_datasheet		