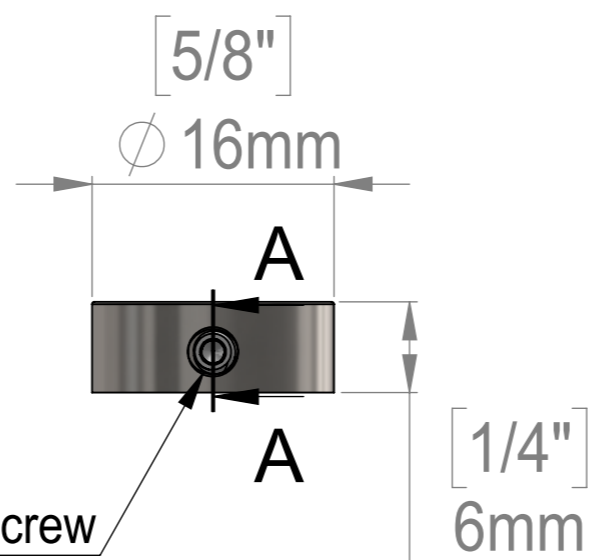
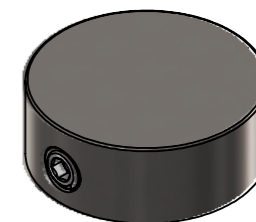
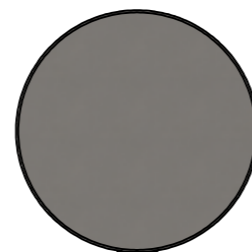
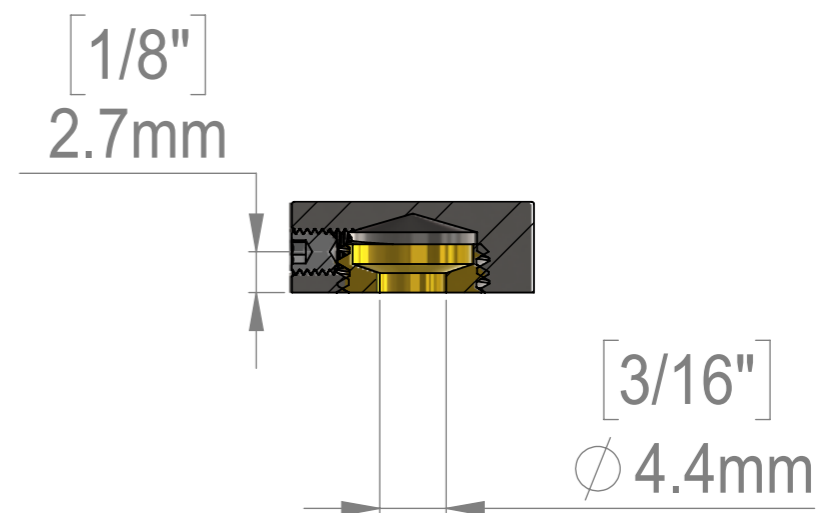


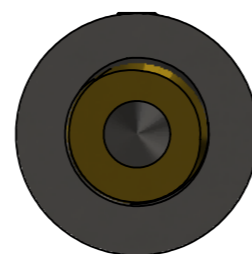
M10X150 Brass Insert



M3x4mm Set Screw



SECTION A-A



| | | | | | |
|---------------|---|-------------------|--------------------------|--------------------|-------|
| Title : SC16L | | | Scale : 2:1 | Mbs R&D | |
| | | | Sizes : Letter Landscape | Customer: | |
| | Mbs Standoffs 5046 W Linebaugh Ave Tampa, FL 33624 USA 1 (813) 938-6025 | Material: | Finish | Qty : | Rep : |
| | | N°programme laser | N°prog. Mécanum. | N° Plan : FAH25-12 | |