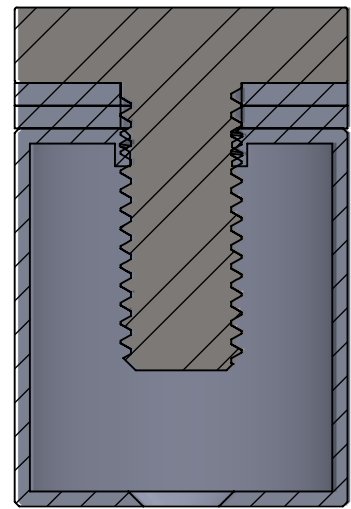
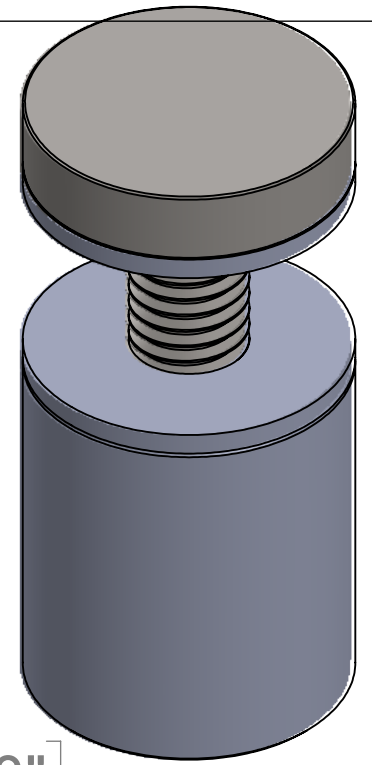
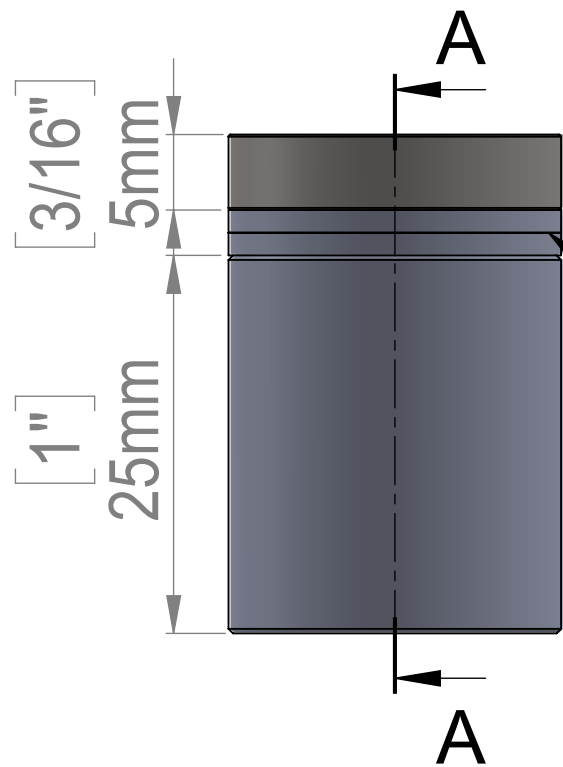


Maximum Material
Thick. Accepted

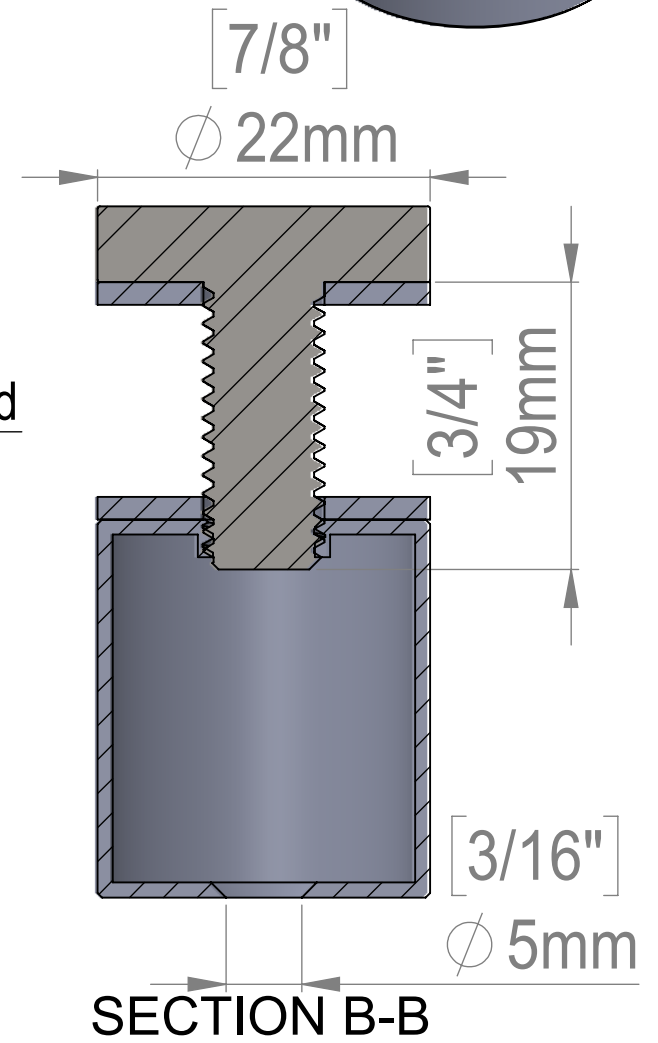
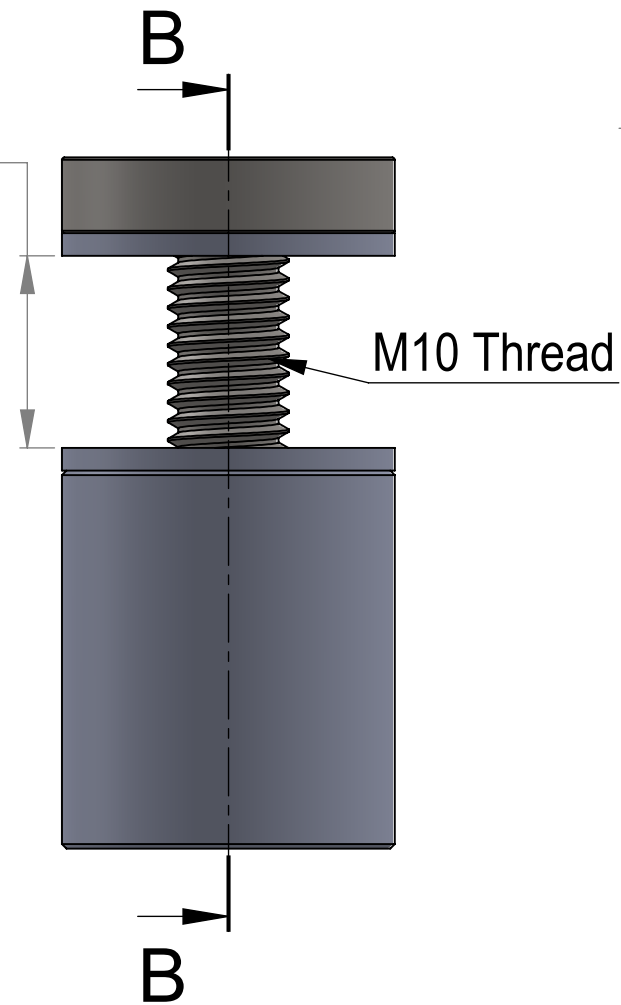
$\left[\frac{1}{2} \right]$
12.7mm



SECTION A-A



2 Silicone Washer



Title : HBL *22-30			Scale : 3.5:1	Mbs R&D	
Material: Hollow SS201			Sizes : Letter Landscape	Customer:	
 Htm-Mbs 5046 W Linebaugh Tampa, FL 33624 T: 1-813-938-6025	N°programme laser	Finish: Satin Brushed	Qty :	Rep :	
	N°prog. Mécanum.		N°:		