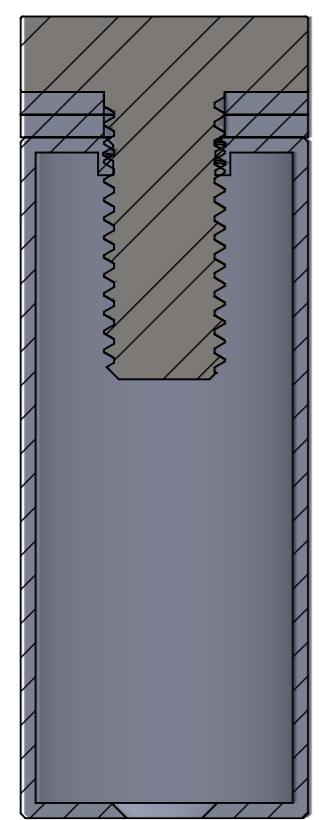
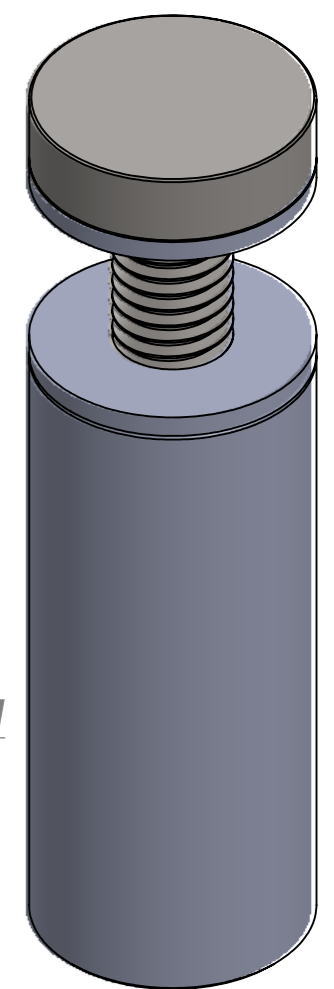
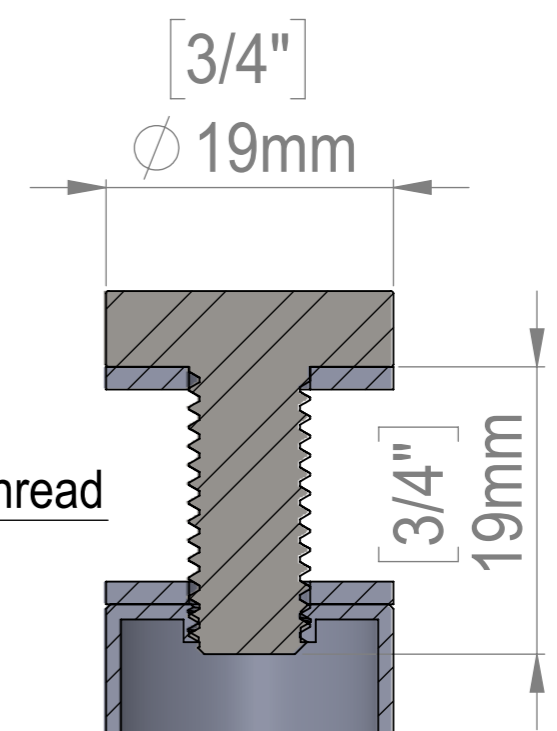
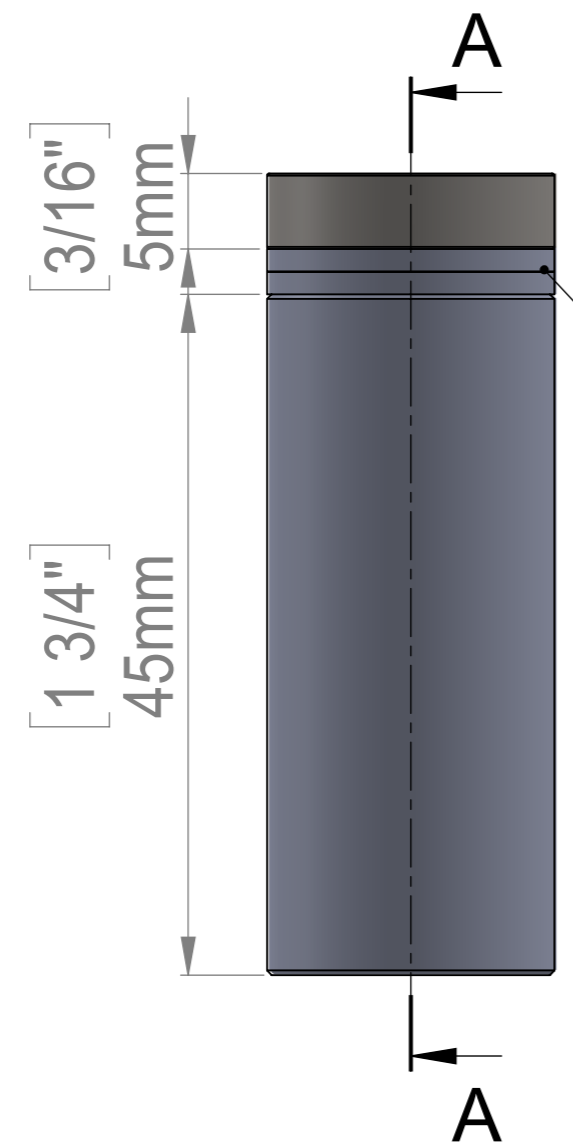


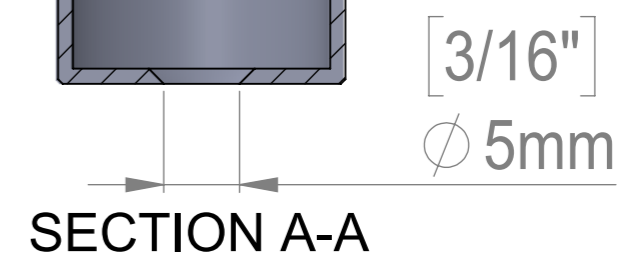
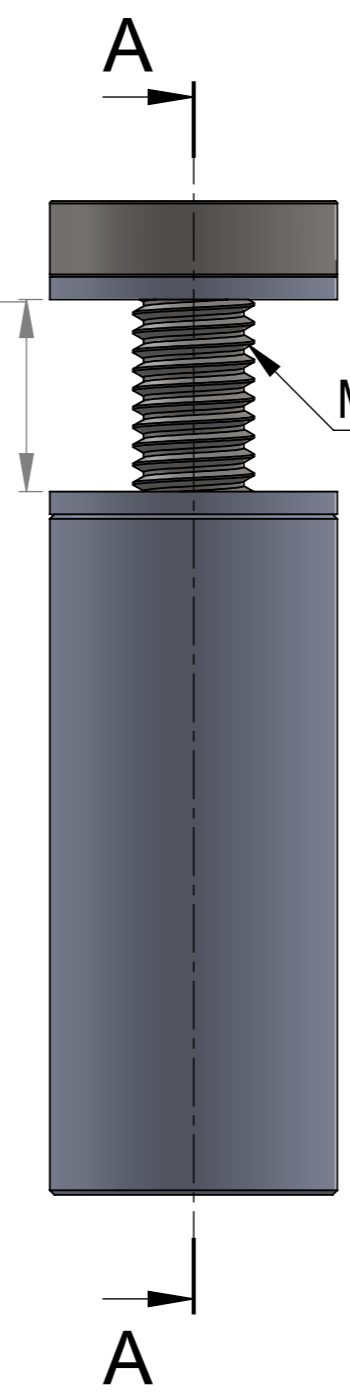
Maximum Material  
Thick. Accepted  
 $\left[ \frac{1}{2}'' \right]$   
12.7mm



SECTION A-A



2 Silicone Washer



Title : <b>HBL *19-50</b>			Scale : 3.5:1	Mbs R&D	
Material: Hollow SS201			Sizes : Letter Landscape	Customer:	
 Htm-Mbs 5046 W Linebaugh Tampa, FL 33624 T: 1-813-938-6025	N°programme laser	Finish: Satin Brushed	Qty :	Rep :	
	N°prog. Mécanum.		N°:		

THE INFORMATION CONTAINED IN THIS DRAWING IS THE SOLE PROPERTY OF MBS. ANY REPRODUCTION IN PART OR AS A WHOLE WITHOUT THE WRITTEN PERMISSION OF MBS IS PROHIBITED.