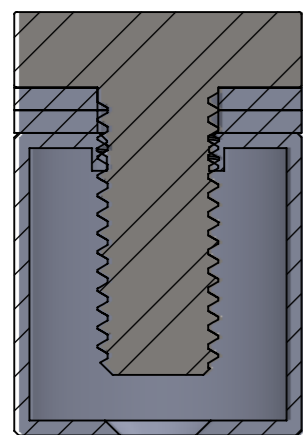
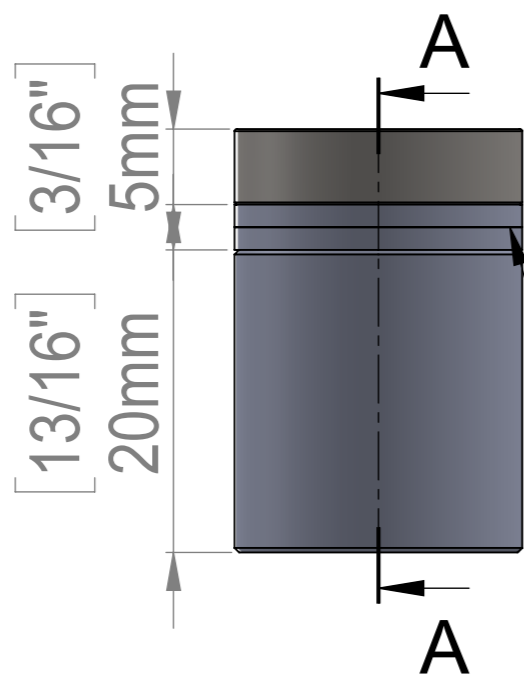


Maximum Material
 Thick. Accepted

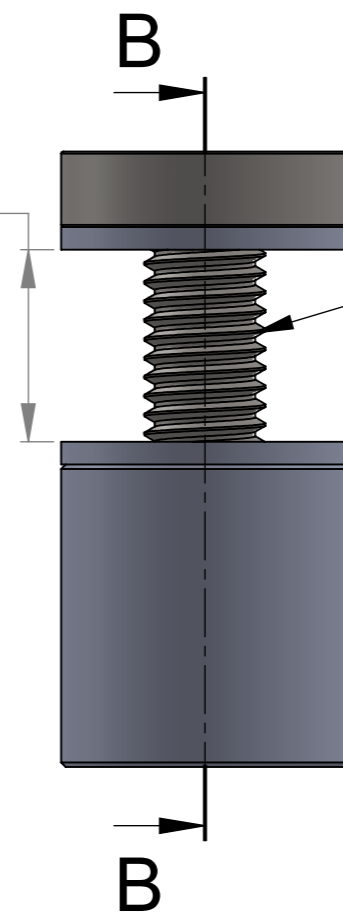
$\left[\frac{1}{2} \right]$
 12.7mm



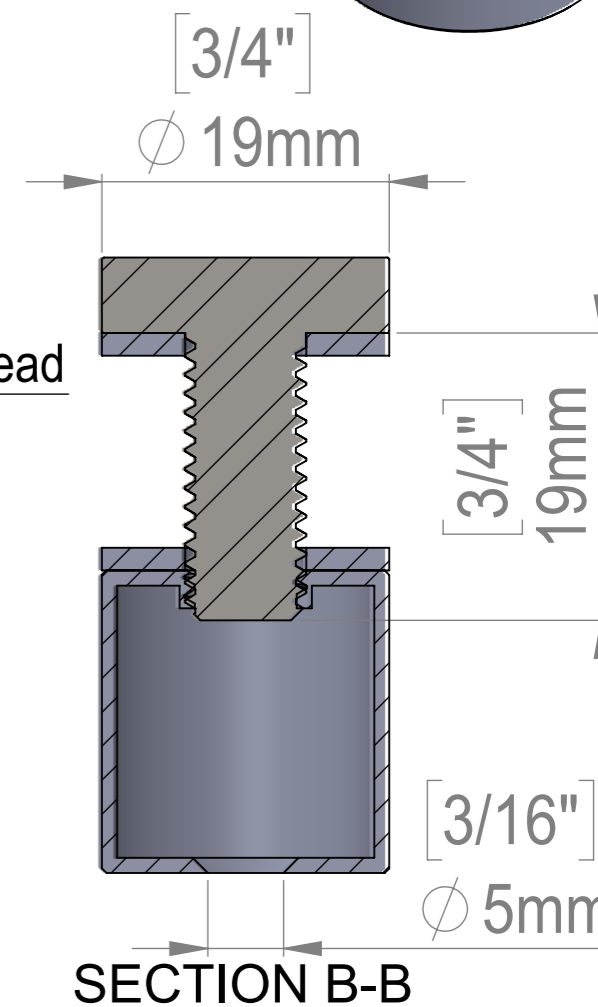
SECTION A-A



2 Silicone Washer



M10 Thread



SECTION B-B

Title : HBL *19-25			Scale : 3.5:1	Mbs R&D	
Htm-Mbs 5046 W Linebaugh Tampa, FL 33624 T: 1-813-938-6025			Sizes : Letter Landscape	Customer:	
	Material: Hollow SS201	Finish: Satin Brushed	Qty :	Rep :	
	N°programme laser	N°prog. Mécanum.	N°:		