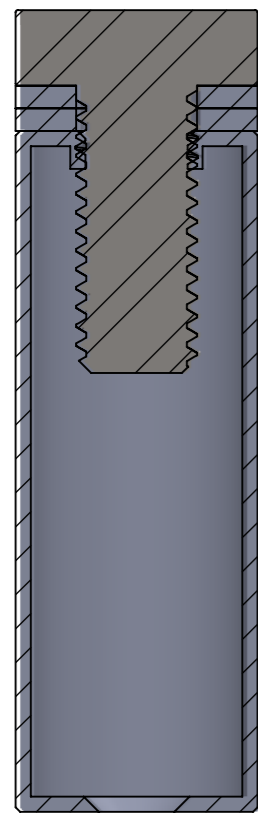


Maximum Material
Thick. Accepted
[1/2"]
12.7mm



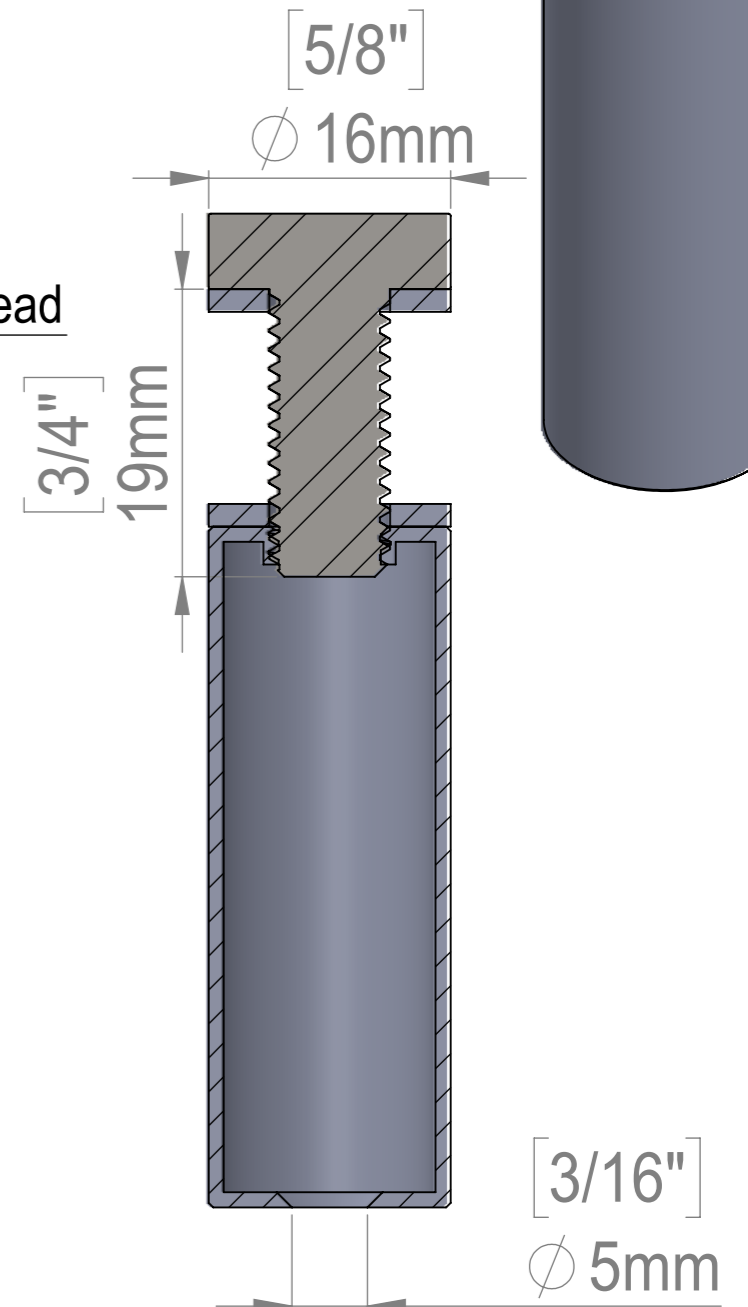
SECTION A-A



2 Silicone Washer



B



SECTION B-B

Title : HBL *16-50			Scale : 3.5:1		Mbs R&D	
 Htm-Mbs 5046 W Linebaugh Tampa, FL 33624 T: 1-813-938-6025			Material: Hollow SS201		Customer:	
N°programme laser		Finish: Satin Brushed		Qty :		Rep :
		N°prog. Mécanum.		N°:		