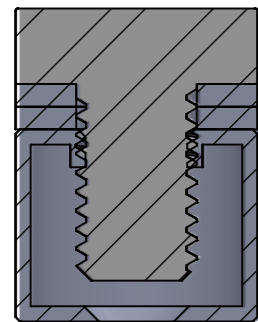
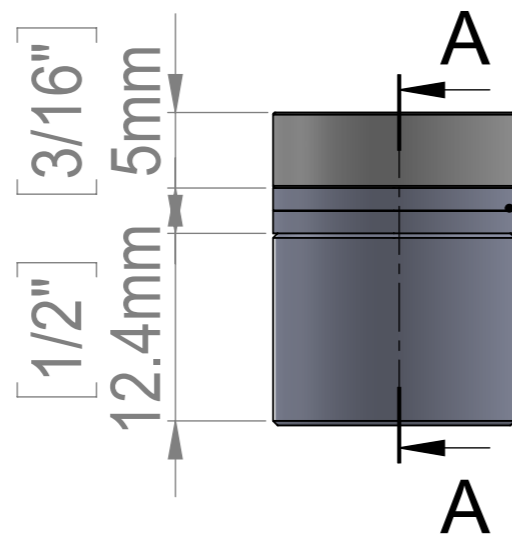


Maximum Material
Thick. Accepted

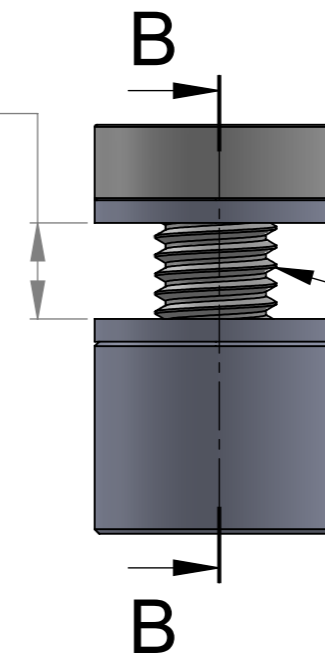
1/4"
6.4mm



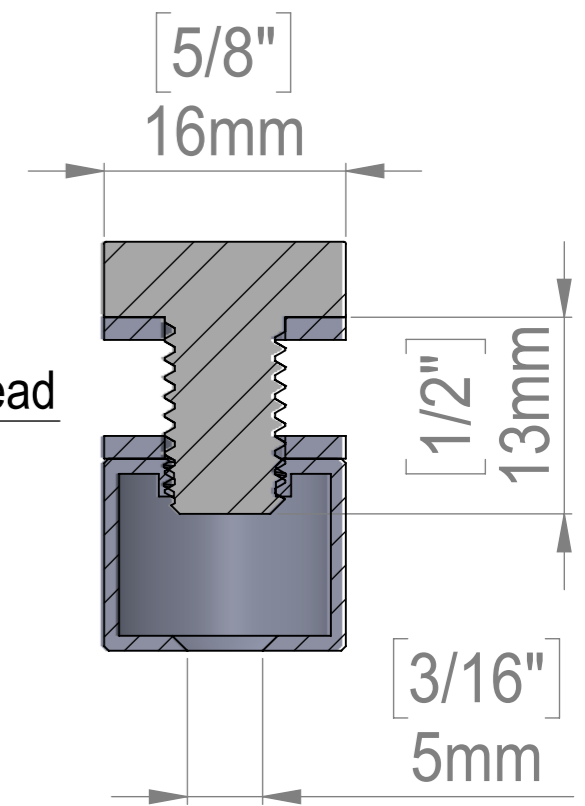
SECTION A-A



2 Silicone Washer

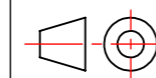


M10 Thread



SECTION B-B

Title :
HBL *16-12



Scale : 3.5:1
Sizes : Letter Landscape

Mbs R&D

Customer:



Htm-Mbs
5046 W Linebaugh
Tampa, FL 33624
T: 1-813-938-6025

Material: Hollow SS201

Finish: Satin Brushed

Qty :

Rep :

N°programme laser

N°prog. Mécanum.

N°: