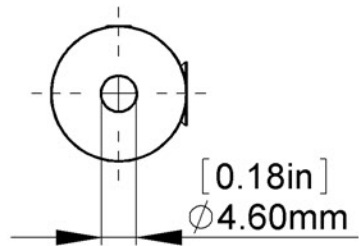
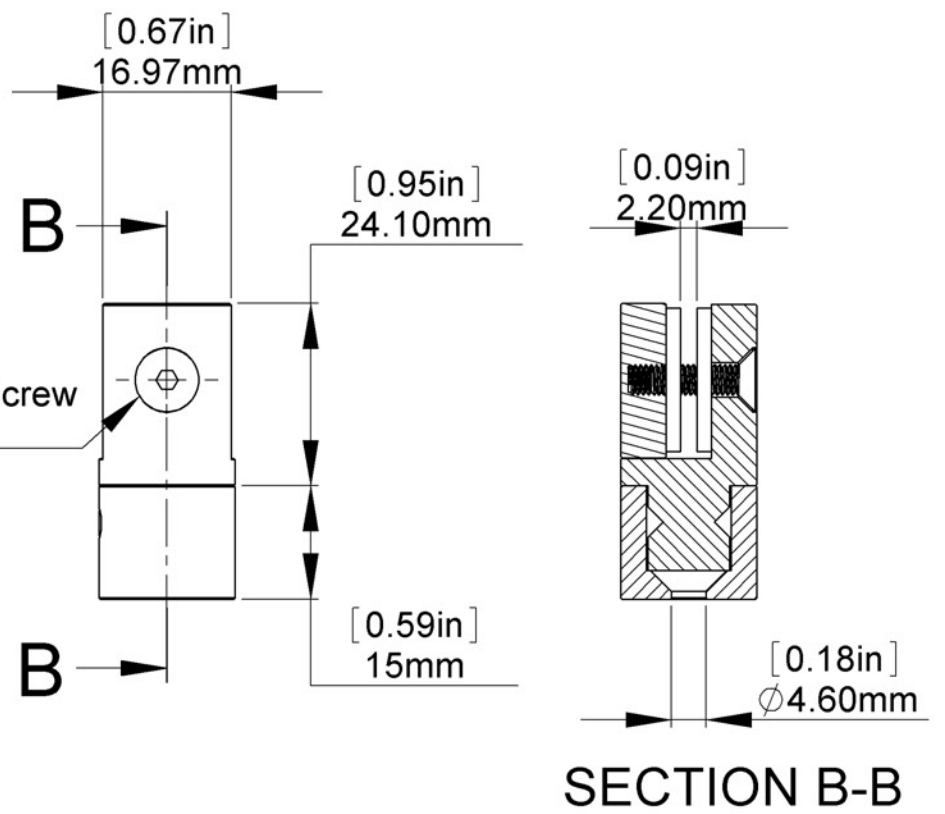
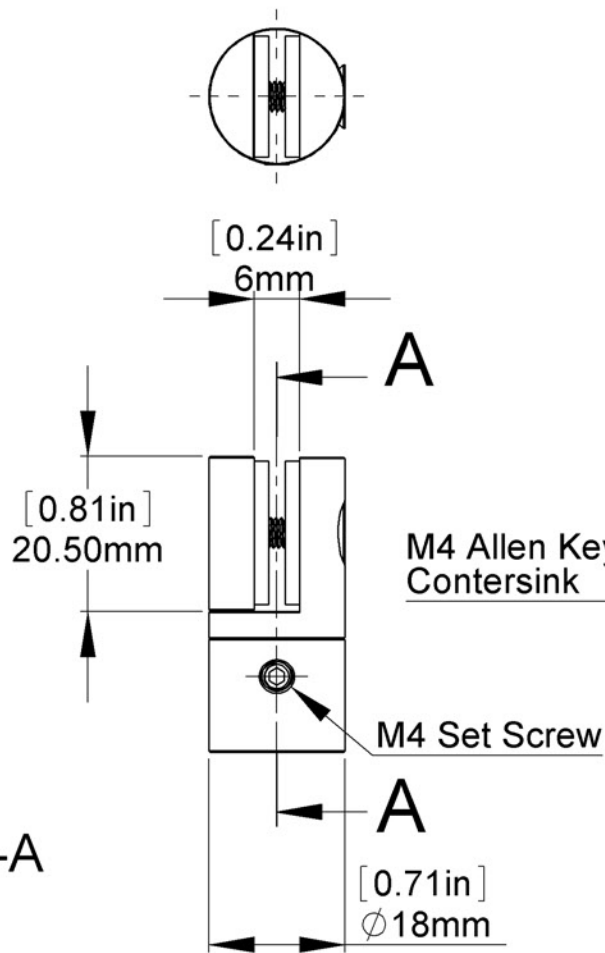


SECTION A-A



Item	Qty.	Description
1	1	100.322 Body
2	1	100.322 Head A
3	1	100.322 Head B
4	2	100.322 Gasket
5	1	M4x5mm Set Screw
6	1	M4x14mm Allen Key Screw Contersink

Title : 100.322		Scale : 1:1		Mbs R&D	
		Sizes : Letter Landscape		Customer:	
Material:		Finish		Qty :	Rep :
N°programme laser		N°prog. Mécanum.		N° Plan : 100.322	

