

# Installation Guidelines

## Clamp Rail System R100



### How to Install the R100 Clamp Rail Display

1. Measure the distance between the center of the holes on the back of the rail.

2. With a Level mark the surface where the clamp will be installed and mark the center of the holes. Make sure they are level.



3. On Drywall run the screw in to check for studs. If no stud then use an anchor. If concrete, drill holes for the anchors and insert. On wood no need for anchors.

4. Remove the retention fitting 'A' from the back of the Rail, put a screw through it and and screw into the stud or anchor and snug.



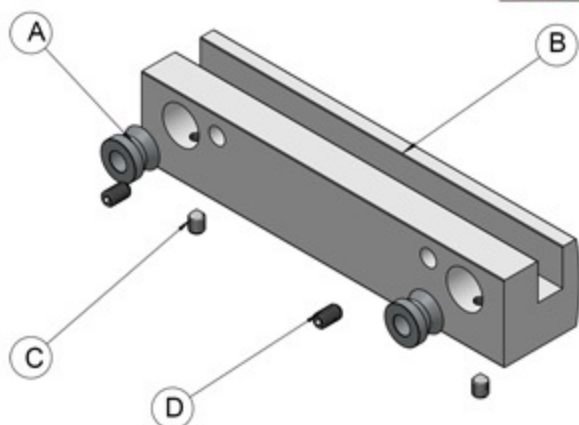
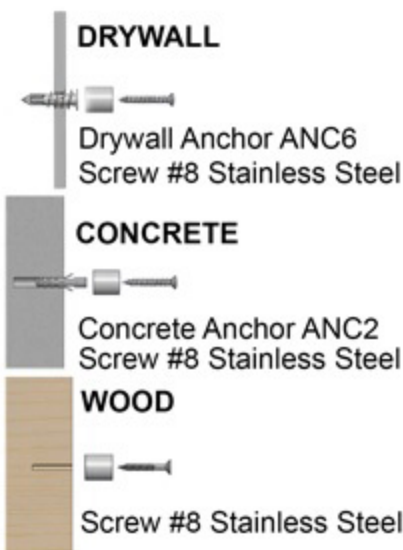
5. Loosen the set screws in the back 'D' that hold the glass display and place the completed display into the Rail 'B' and snug the set screws.

7. Place the Rail on the retention fitting now on the wall and tighten the set screws 'C' from the bottom.



### Tool List:

- Cordless Drill
- Level
- Tape Measure
- Stubby Set Driver for set screws



It is very important that the screws are properly mounted to ensure a sturdy display

MBS Standoffs  
6420 Benjamin Rd.  
Tampa, Florida 33634



Phone: (813) 938-6025  
Fax: (813) 425-9007  
email: sales@mbs-standoffs.com